

TM-702A/E

SERVICE MANUAL

KENWOOD

© 1990-8 PRINTED IN JAPAN
B51-8077-00 (A) 599

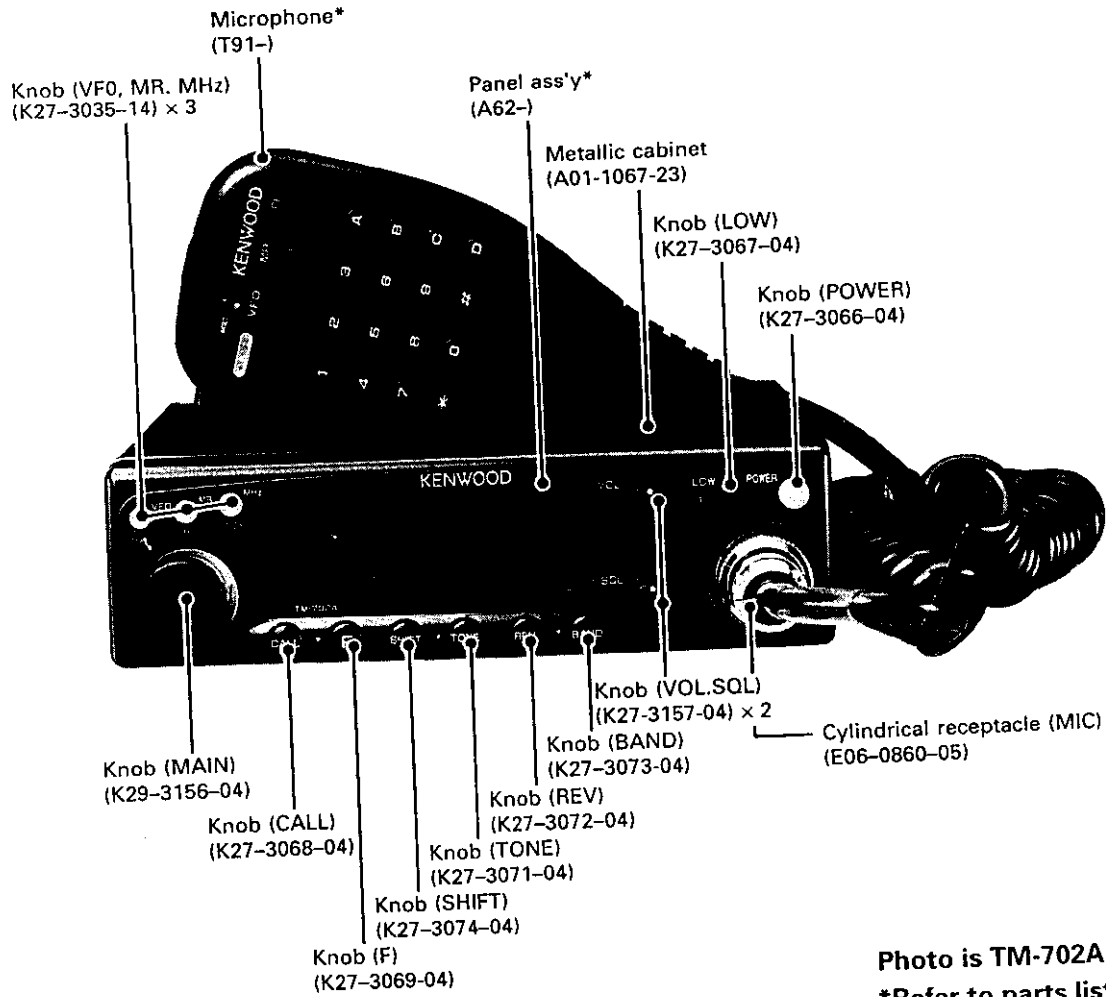


Photo is TM-702A.

*Refer to parts list on page 18.

CONTENTS

CIRCUIT DESCRIPTION	2	MIC AMP (X59-3610-00)	51
DESCRIPTION OF COMPONENTS	12	TX RX UNIT (X57-3680-XX)	52
SEMICONDUCTOR DATA	17	SCHEMATIC DIAGRAM	57
PARTS LIST	18	TERMINAL FUNCTIONS	60
EXPLODED VIEW	36	BLOCK DIAGRAM	61
PACKING	37	LEVEL DIAGRAM	63
ADJUSTMENT	38	DTU-2 (DTMF UNIT)	64
PC BOARD VIEWS/CIRCUIT DIAGRAM	43	TSU-6 (CTCSS UNIT)	66
LCD ASSY'S (B38-0348-05)	43	MC-44 (MULTI FUNCTION MICROPHONE)	68
430PLL (X58-3480-01)	44	MC-44 DM/MC-44DME (MULTI FUNCTION	
144PLL (X58-3500-00)	46	MICROPHONE WITH AUTOPATCH)	69
144PLL (X58-3670-11)	48	MC-44E (MULTI FUNCTION MICROPHONE)	70
ELE VOL (X59-3800-00)	50	SPECIFICATIONS	BACK COVER

TM-702A/E

CIRCUIT DESCRIPTION

Frequency Configuration

The TM-702A/E incorporates a PLL synthesizer that works with a digital VFO and allows channel steps of 5, 10, 12.5, 15, 20, or 25kHz to be selected.

In the 144MHz-band receiver, an incoming signal is down converted to the 1st IF of 30.300MHz (E. E2. M. M2) and 16.900MHz (K. P) using a 1st local oscillator frequency of from 113.7 to 115.7MHz (E. E2), 113.7 to 117.7MHz (M. M2) and 127.1 to 131.095MHz (K. P). The 1st IF signal is then mixed with the 2nd local oscillator frequency of 29.845 MHz (E. E2. M. M2) and 17.355MHz (K. P) to produce the 2nd IF of 455kHz.

In the 430MHz-band receiver, an incoming signal is down converted to the 1st IF of 30.825MHz (E. E2. M. M2) and 21.600MHz (K. P) using a 1st local oscillator frequency of 399.175 to 409.175MHz (M. M2. E. E2) and 416.4 to 428.395MHz (K. P). The 1st IF signal is further mixed with the 2nd local oscillator frequency of 30.37MHz (E. E2. M. M2) and 21.145MHz (K. P) to produce the 2nd IF of 455kHz.

Both the 144MHz and 430MHz-band receivers are double-conversion.

The transmitter consists of a PLL circuit, which allows direct modulation and direct frequency division in both bands. Signals from the PLL circuit are amplified by a power amplifier for transmission.

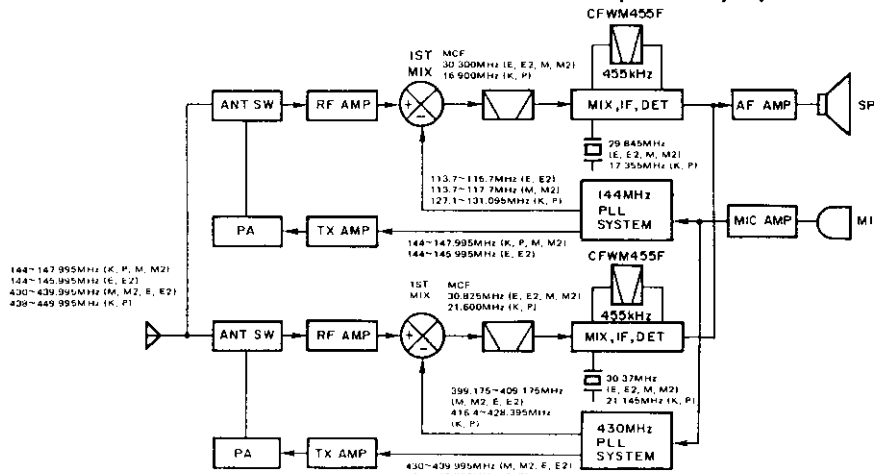


Fig. 1 Frequency Configuration

Receiving System

• General

Separate receiver circuitry is provided from the antenna connector to the 2nd IF for both bands of the TM-702A/E.

• 144MHz band

Incoming 144MHz-band signals from the antenna are passed through a low-pass filter in the final block of the transmitter system, and are then switched to the front-end of the receiver system via a transmit/receive switching diode. This signal is then passed through an antenna matching coil and amplified by a GaAs FET. Undesirable components are removed from the signal by the bandpass filter that utilizes

three varactor diodes. The resulting signal is fed to the 1st mixer, which mixes the signal with the 1st local oscillator signal in order to obtain the 1st IF of 30.3MHz (E. E2) and 16.9MHz (K. P). This signal is then passed through two monolithic crystal filters (MCFs). The signal from the MCFs is used as the 1st IF signal.

The 1st IF signal is amplified and fed into IC11 (KCD04) in the FM IF HIC (HIC=Hybrid IC). The IF signal is mixed with the 2nd local oscillator signal of 29.845MHz (M. M2. E. E2) and 17.355MHz (K. P) to produce the 2nd IF of 455kHz. The 455kHz signal is then passed through an FM ceramic filter and fed into IC11 again for amplification. The output signal from IC11 is then fed into a power amplifier via the audio volume control and sent to the speaker.

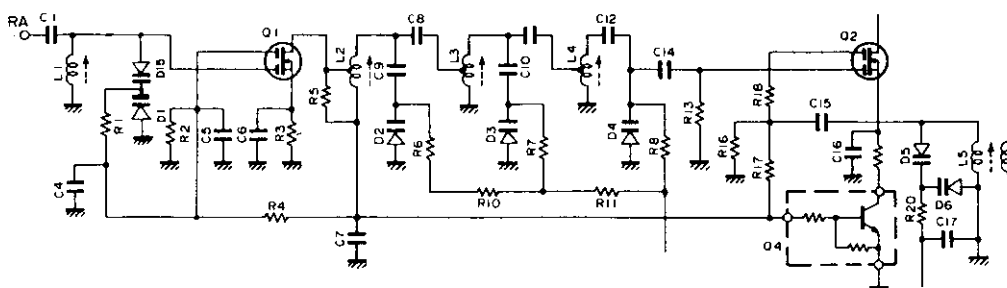


Fig. 2 144MHz front-end (varactor diode tuning)

CIRCUIT DESCRIPTION

• 430MHz band

Incoming 430MHz-band signals from the antenna are passed through a low-pass filter in the final block of the transmitter system and switched to the front-end of the receiver system via a transmit/receive switching diode. This signal is then passed through an antenna matching coil in the front-end and amplified by a GaAs FET and a junction-type FET. The signal is then fed into a two-pole helical resonator and fed into the 1st mixer. The 1st mixer combines the signal with the 1st local oscillator signal from the PLL and converts it to the 1st IF of 30.825MHz (E. E2. M. M2) and 21.6MHz (K. P).

The 1st IF signal is amplified and fed into IC3 (KCD04) in the FM IF HIC (HIC=Hybrid IC). The IF signal is mixed with the 2nd local oscillator signal of 30.37MHz (E. E2. M. M2) and 21.145MHz (K.P) to produce the 2nd IF of 455kHz. The 455kHz signal is then passed through an FM ceramic filter and fed into IC3 again for amplification. The output signal from IC3 is then fed into a power amplifier via the audio volume control and sent to the speaker.

Item	Rating			
	E. E2. M. M2		K. P	
	L71-0263-05	L71-0294-05	L71-0252-05	L71-0276-05
Nominal center frequency	30.825MHz	30.3MHz	21.6MHz	18.9MHz
Pass band width	±7.5kHz or more at 3dB			
Attenuation band width	±28kHz or less at 40dB		±25kHz or less at 40dB	
Ripple	1.5dB or less		1.0dB or less	
Insertion loss	3dB or less		2dB or less	
Guaranteed attenuation	50dB or more within ±1MHz		70dB or more within ±1MHz	
Terminating impedance	1.4kΩ/1pF	1.2kΩ/0.5PF	1.5kΩ/1pF	1.8kΩ/0PF

Table 1 MCF (TX-RX unit XF1) (L71-0262-05, L71-0252-05) (L71-0294-05, L71-0276-05)

Item	Rating
Nominal center frequency	455kHz ±1kHz
6dB bandwidth	±6kHz or more (from 455kHz)
50dB bandwidth	±12.5kHz or less (from 455kHz)
Ripple (within ±4kHz of 455kHz)	3dB or less
Insertion loss	6dB or less
Guaranteed attenuation (within ±100kHz of 455kHz)	35dB or more
I/O matching impedance	2.0kΩ

Table 2 Ceramic filter CFWM455F (L72-0372-05)

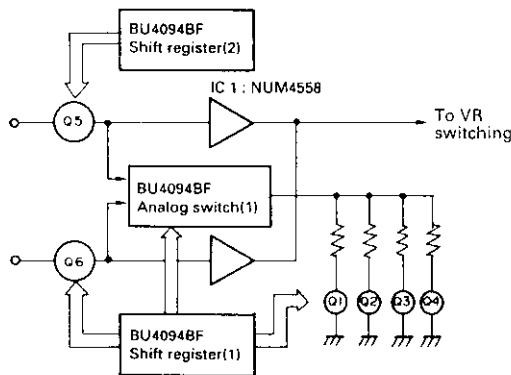


Fig. 3 (1) Main and sub switching, sub-mute switching circuit

• S-meter circuit

The S-meter control voltage from IC3 and IC11 (KCD04) in the FM IF HIC is fed into the control unit. The CPU digitizes the analog voltage to operate the LCD bar meter.

• AF section main and sub switching, sub-mute switching

The audio signal detected by the FM IF HIC is passed through AF mute Q5 and Q6 for VHF and UHF, and is output through the preamplifier.

When two signals are received at the same time, the attenuator is connected to the sub side by analog switch (1) BU4053BF, and the signals are mixed with the main output through the preamplifier, and are output. The attenuator on the sub side controls Q1 to Q4 with shift register (1) BU4094BF and is muted in 16 steps (0 to about 20dB).

• VR switching

Normally, analog switch (2) BU4053BF operates so that the audio signal output from the preamplifier can be adjusted by the VR on the panel. When a remote controller is used, shift register (2) BU4094BF operates according to the data from the CPU, analog switch (2) BU4053BF is changed over, and the electronic VR LC7532M is controlled to adjust the level.

• Shift register (1) (2)

The following control is executed by sending serial data from the CPU to the shift register (1) (2) (BU4094BF) in the electronic volume control module (X59-3800-00).

Shift register (1) Shift register (2)

Pin No.	Pin name	Function	Pin No.	Pin name	Function
1	Strobe	Enable input (ESJ)	1	Strobe	Enable input (ES1)
2	Data	Serial data input	2	Data	Serial data input
3	Clock	Clock input	3	Clock	Clock input
4	Q1	Sub-mute attenuator switching	4	Q1	TX power switching: "H" in LOW mode.
5	Q2		5	Q2	TX power switching: "H" in MID mode
6	Q3		6	Q3	"H" for VHF AF MUTE
7	Q4		7	Q4	
8	Vss	GND	8	Vss	GND
9	Qs		9	Qs	
10	Q's		10	Q's	
11	Q8	"H" UHF AF mute	11	Q8	"H" when electronic volume control is not used
12	Q7		12	Q7	"H" when electronic volume control is used
13	UP	"H" UHF main	13	UP	"L" when electronic volume control is UP
14	DWN	"H" VHF main	14	DWN	"L" when electronic volume control is DOWN
15	Output Enable	5V (Power)	15	Output Enable	5V (Power)
16	VDD	5V (Power)	16	VDD	5V (Power)

Table 3

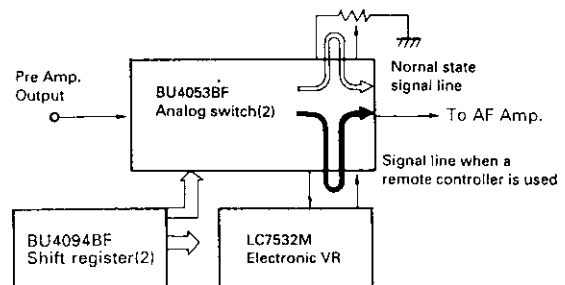


Fig. 3 (2) VR switching circuit

TM-702A/E

CIRCUIT DESCRIPTION

Transmitting System

• General

Separate circuits are provided for the 2 meter and 70 meter band, except for the mic amplifier and APC circuits.

• Modulation circuit

Audio signals from the microphone are fed into the mic amplifier for amplification, and then into two operational amplifiers. The operational amplifiers form a splatter filter and provide pre-emphasis, amplification, limiting, and removal of undesirable high-frequency components.

The modulation circuit directly frequency-modulates the VCO (Voltage Controlled Oscillator) signals for both the 144MHz and 430MHz bands using a varactor diode.

• Pre-amplifier circuit

The output signal from the VCO is applied to drive HIC IC9 (KCB05; two-stage linear amplifier) for the 144MHz band, and drive HIC IC10 (KCB04; three-stage linear amplifier) for the 430MHz band.

This amplifier is designed to cover a wide range of frequencies, and can produce stable output without adjustment. The APC control the collector voltage from the last stage of the amplifier.

• Power amplifier circuit

The drive signal is amplifier to the required level by the power module. The signal is passed through a transmit/receive diode switch and filter, and output to the antenna.

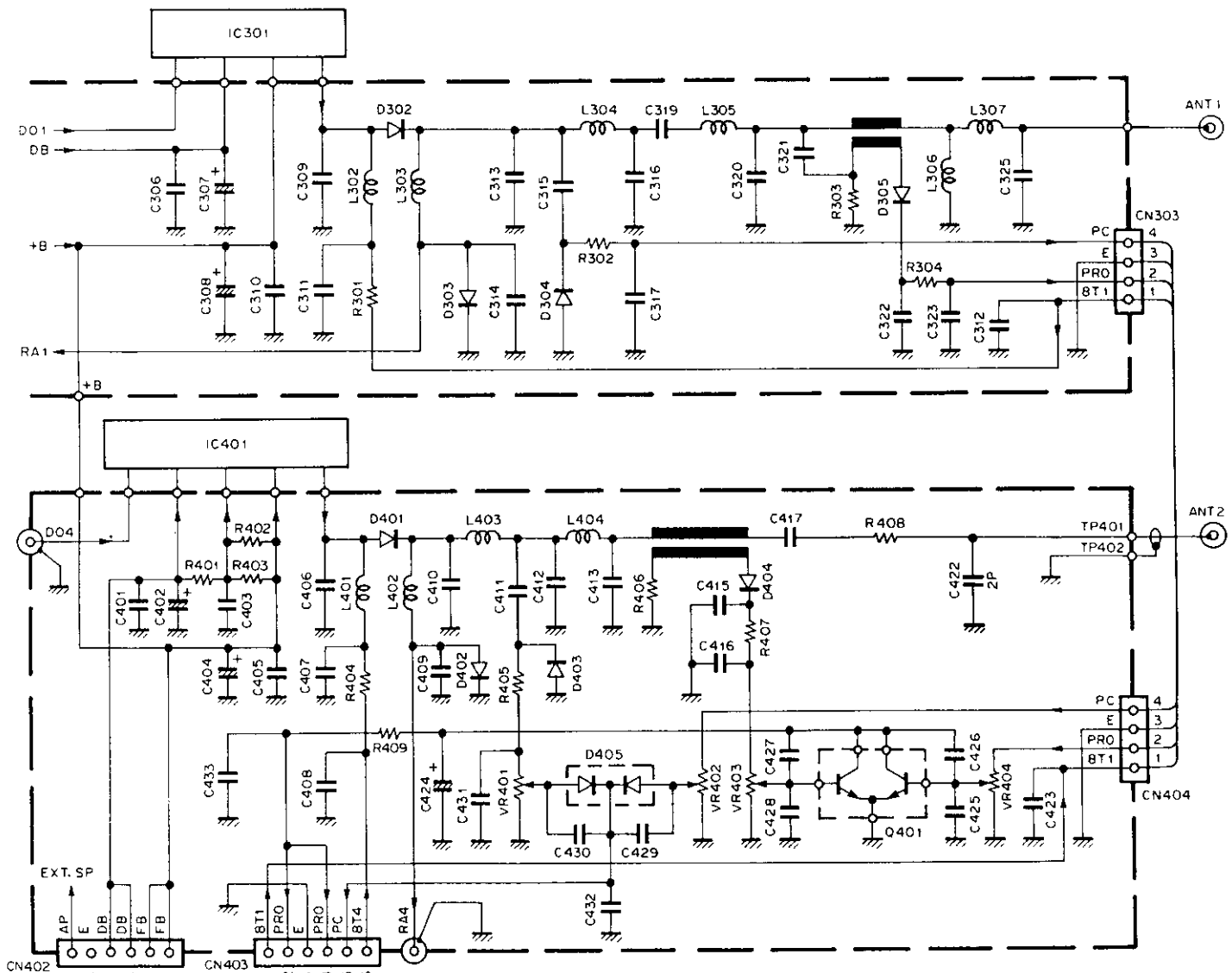


Fig. 4 Transmitting circuit

CIRCUIT DESCRIPTION

• APC (Automatic Power Control) and SWR (Standing Wave Ratio) protection circuits

The SWR protection circuit detects any reflected power produced by a mismatch in the antenna with a CM (CM=Capacitance matching) coupler and amplifies it. This circuit reduces the output control voltage and the gain to protect the power module.

The APC circuit detects a portion of the power module output and amplifies it to obtain a control voltage for output control. Since the output control voltage is inversely proportional to the output of the power module, the output is kept constant.

The power switching circuit uses the output of the shift register (BU4094BF) in the electronic volume control module (X59-3800-00). When the LOW switch on the panel is pressed and LOW is indicated, an "H" signal is output from pin 4 of the shift register (BU4094BF); this turns Q33 of the TX-RX unit on, selecting LOW power.

When the MID switch on the panel is pressed and MID is indicated, an "H" signal is output from Pin 5 of the shift register (BU4094BF); this turns Q32 of the TX-RX unit on, selecting MID power.

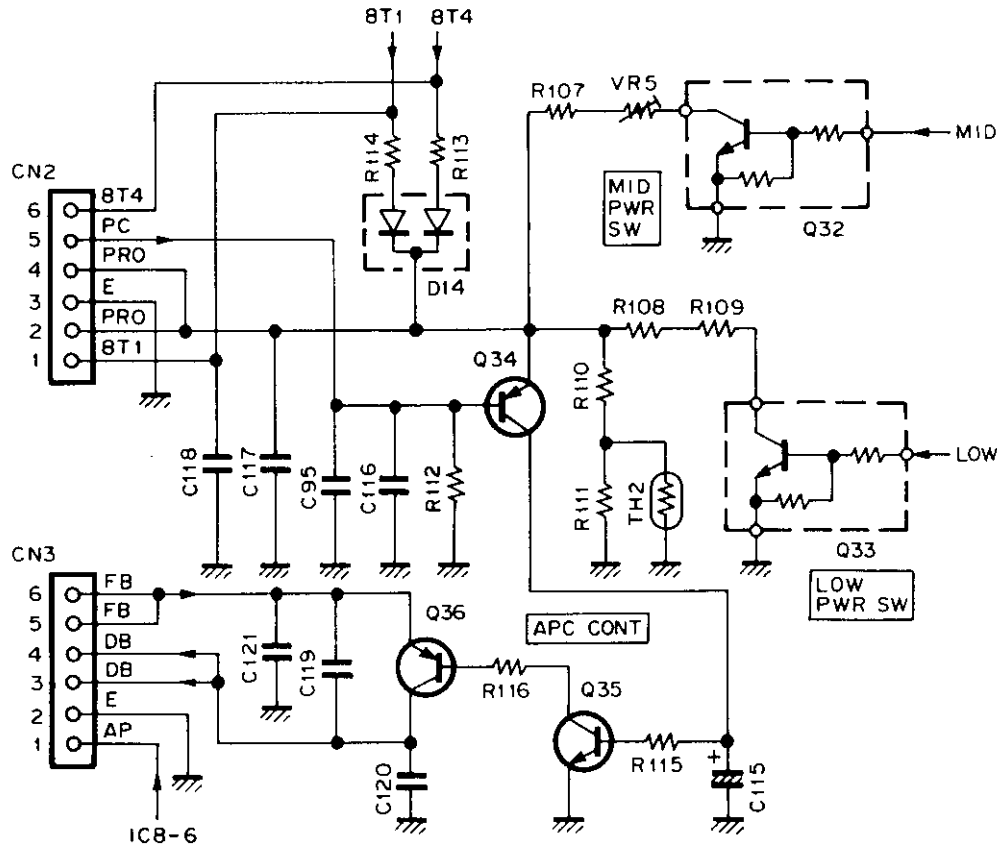


Fig. 5 LOW and MID power selection circuit

TM-702A/E

CIRCUIT DESCRIPTION

PLL Synthesizer Block

The TM-702A/E PLL system is implemented as a sub-unit divided into upper VCO and lower PLL blocks. The 144MHz-band PLL block is independent of the 430MHz-band PLL block. The sub-unit is shielded to prevent external interference.

Two reference frequencies, 6.25kHz and 5kHz, are provided in order to allow 5, 10, 12.5, 15, 20, and 25kHz step operation by dividing the reference oscillator frequency of 12.8MHz by 2048 and 2560.

The VCO directly generates the target frequency. This signal is amplified once and then fed into a

pulse-swallow PLL IC for frequency division and phase comparison.

The 144MHz-band PLL system has two VCOs, one for transmission and one for reception. Using a signal ("H" in transmit mode) from pin 10 of the PLL IC (M54959FP), the LPF is deactivated by Q105 only for the instant when the TM-702A/E enters transmit mode. This helps produce a more rapid PLL lock-up.

The 430MHz-band PLL system has a single VCO for transmission and reception. Using Q5 as a switch, it reduces the PLL lock-up time in the same way as for the 144MHz section.

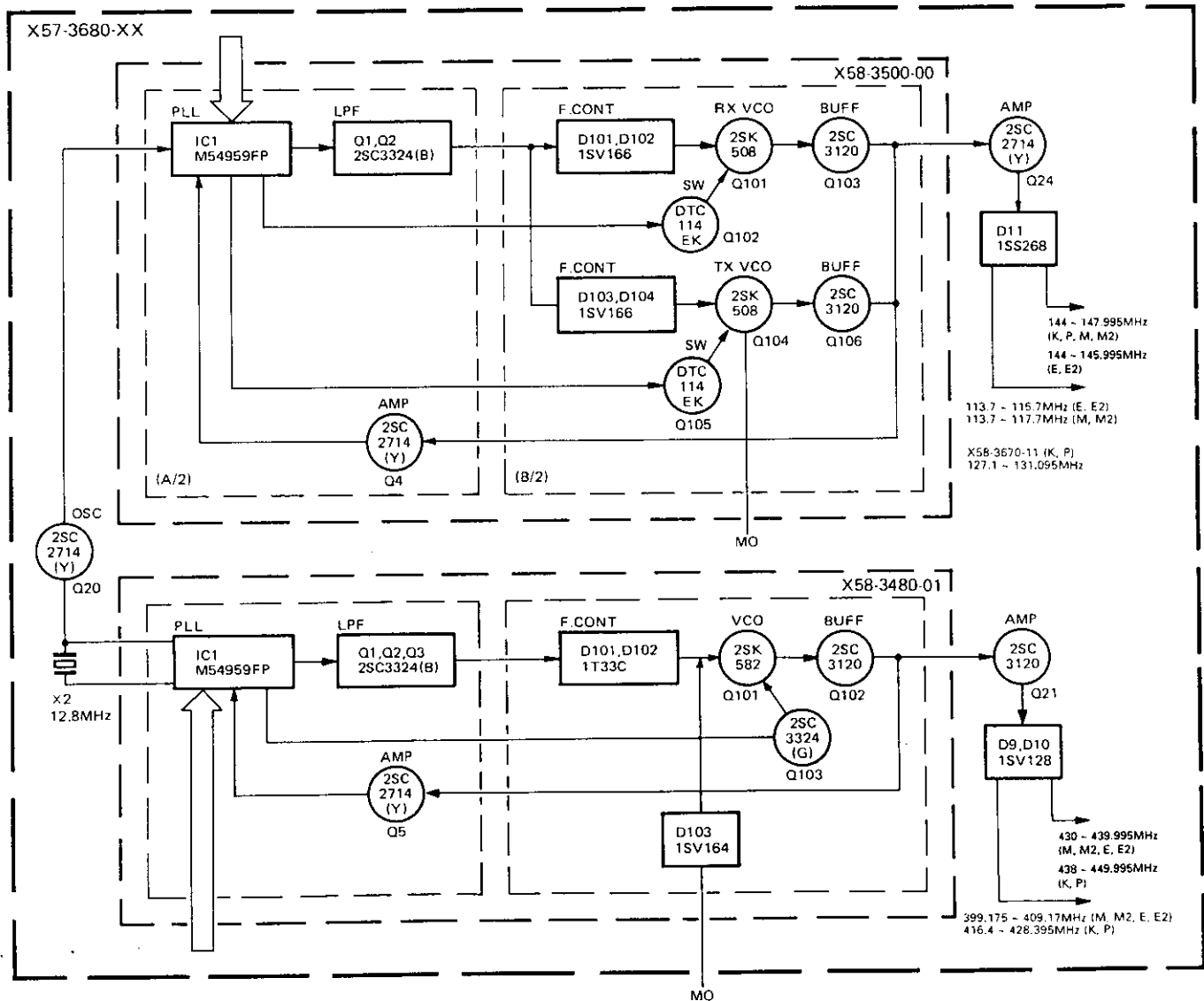


Fig. 6 PLL block diagram

CIRCUIT DESCRIPTION

• 8T (transmit 8V) switching and unlock circuits

1) 8T switching circuit

During 430MHz/144MHz transmission, T4 and T1 of IC5 in the HIC go to the "L" level (0V). As a result, Q26 and Q29 turn off, digital transistors Q27, Q30, Q28, and Q31 turn on, and 8T4 and 8T1 are supplied with 8V from the 8C line.

During receive, T4/T1 is at the "H" level (5V), and Q26 and Q29 turn on and Q27, Q30, and Q31 turn off. 8V is not supplied to 8T4 and 8T1.

2) Unlock circuit

Unlock data pin LD of the PLL sub-unit is normally at the "L" level (0V). When the 8T switching circuit operates, the transmit circuit is supplied with 8V.

When the PLL is unlocked, pin LD goes to the "H" level (5V), and Q26 and Q29 turn on. This turns Q27, Q30, Q28, and Q31 off, removing 8V from 8T4 and 8T1. Thus, no transmit signal is generated.

Digital Control Unit

• Overview

The digital control unit consists of a keyboard, a rotary encoder input, a display, a reset circuit, a back-up circuit, and a tone generator.

• Key and rotary encoder input circuits

The keys on the panel are arranged in a matrix. Key input is fed into the CPU, using a key scan technique. Output from the rotary encoder is fed directly into the CPU.

• Microphone key input circuit

The UP and DOWN keys and the other function keys for the microphone are connected directly to their corresponding analog input pins on the CPU. The function for each key is activated by a voltage produced when the corresponding key is pressed.

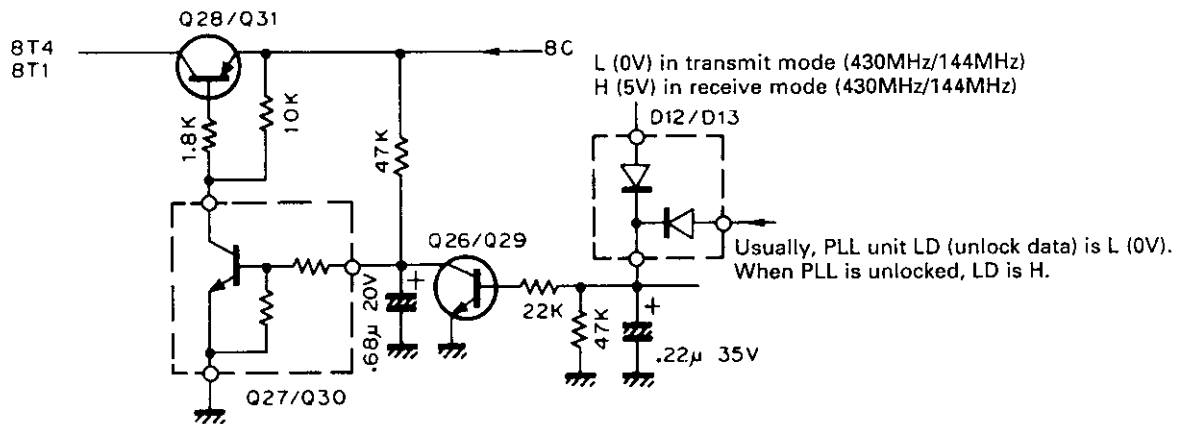


Fig. 7 8T switching and unlock circuits

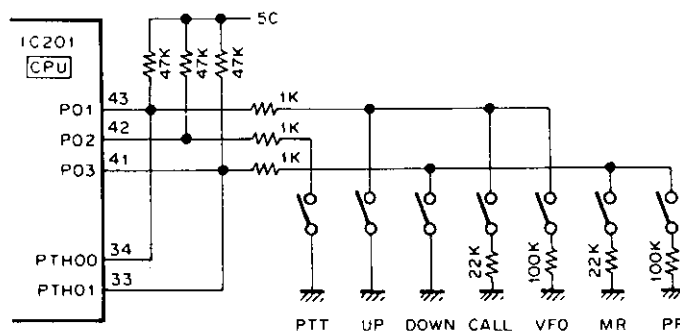


Fig. 8 Microphone key input circuit

TM-702A/E

CIRCUIT DESCRIPTION

• Reset and back-up circuits

When the power is turned on, the reset circuit sends an "L" level reset pulse to the RESET pin of the CPU for approx. 3ms. This initiates the power on reset sequence.

When the power is turned off, the back-up circuit detects a voltage drop in the 5C line and pulls the CPU INT4 pin to a "H" level. This causes the CPU to enter the back-up state.

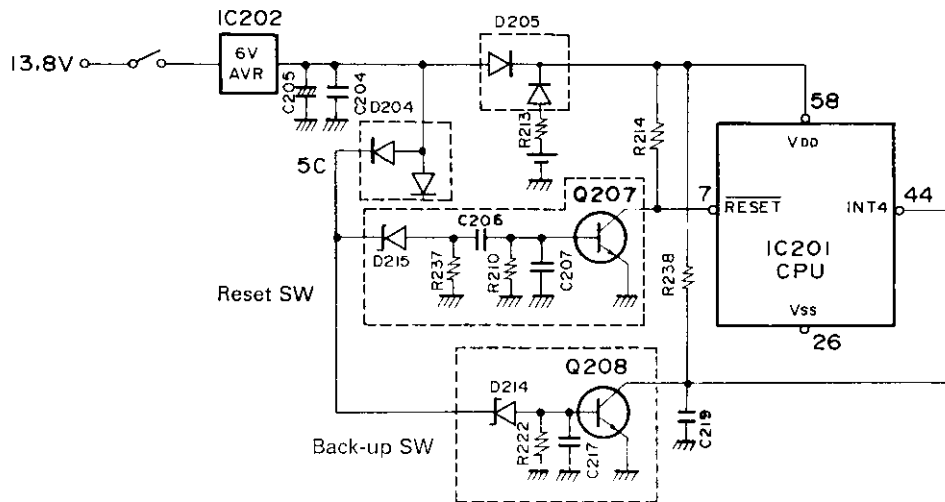


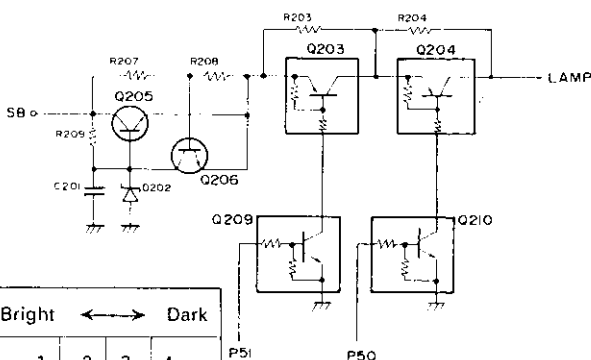
Fig. 9 Reset and back-up circuits

• Display circuit

The display circuit is contained in the LCD assembly. It consists of a LCD driver, its peripheral circuits, and an LCD. The LCD is dynamically operated with a 50% duty cycle. The LCD driver receives LCD data from P33, P141, and P140 of the CPU.

• Dimmer circuit and regulated voltage circuit for lamp

The lamp circuit generates a constant voltage of about 8.8V with SB, Q205, and D202. The lamp circuit resistance is change by turning Q203 and Q204 on and off to control the dimmer. If the lamp is shorted, Q206 decreases the Q205 V_{BE} to prevent an overcurrent from following through Q205.



Bright-ness	Bright ← → Dark			
	1	2	3	4
P50	H	L	H	L
P51	H	H	L	L

• Shift register circuit

The following control is executed by sending serial data from the CPU to the shift register (MB88307PF) in IC5 (KCC03).

Pin No.	Pin name	Function
1	SO	
2	LOAD	Enable input
3	00	Normally, "H"
4	01	Normally, "H"
5	02	Normally, "H"
6	03	"L" in receive mode (144MHz band)
7	SC/SC	Clock input
8	Vss	GND
9	0E	GND
10	04	"L" in receive mode (430MHz band)
11	05	"L" in receive mode, "H" in transmit mode
12	06	"L" in transmit mode (144MHz band)
13	07	"L" in transmit mode (430MHz band)
14	SI	Serial data input
15	RESET	5V (Power)
16	Vcc	5V (Power)

Table 4

CIRCUIT DESCRIPTION

• Tone generator circuit

IC203 (ladder resistor network) receives analog signals from P40 thru P43 and P52 thru P53 of the CPU and digitizes them to produce 38 different tones from 67.0Hz to 250.3Hz. Figure 11 shows the internal configuration of IC203.

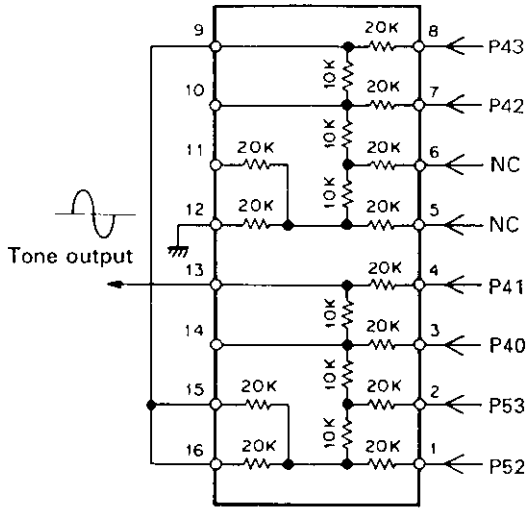


Fig. 11 Internal configuration of ladder resistor network KRR-C001 (TX-RX unit IC203)

• PLL data output

PLL data is sent from P21 (CK), P22 (DT), P62 (EP2), and P23 (EP1) of the CPU. Figure 12 is a timing chart for PLL data transfer, and Figure 13 shows the format of PLL data.

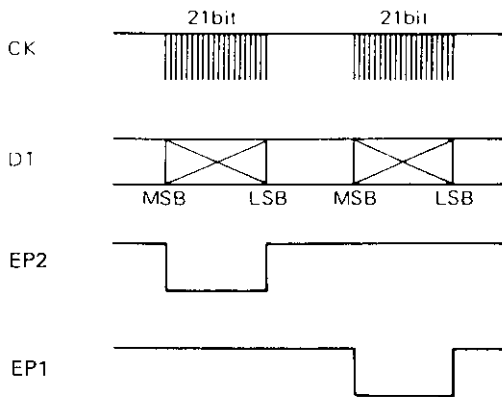
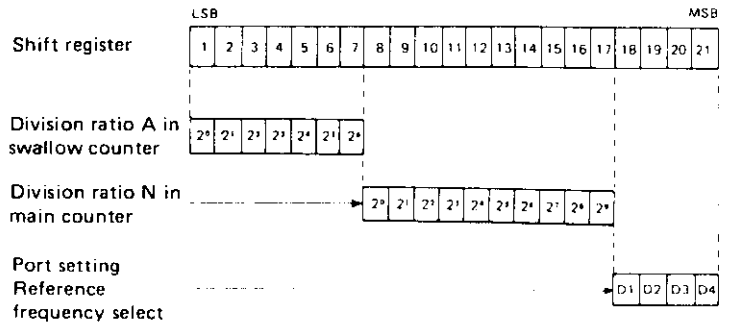


Fig. 12 Timing chart for PLL data transfer



The 21-bit data is made up of the following:

1. Division ratio data A and N (17 bits)

F (display -10.7MHz in RX mode)

$$= \{(N \times 128) + A\} \times 12.8\text{MHz/ref}$$

N: Division ratio set in 10-bit main counter (binary)

A: Division ratio set in 7-bit swallow counter (binary)

2. Reference frequency (ref) select (2 bits)

Data		Phase reference frequency	
D1	D2		
L	L	5kHz	5, 10, 15, 20, 25kHz step mode
H	L	6.25kHz	12.5kHz step mode

3. Switch select (2 bits)

Data		Output port		
D3	D4	SW1	SW2	
L	H	L	H	RX mode
H	L	H	L	TX mode

Fig. 13 PLL data format

TM-702A/E

CIRCUIT DESCRIPTION

• Power switching circuit

The power switching circuit is an HIC that consists of a shift register (MB88307PF), 3-pin regulator (TA78L05F) that supplies 5V to the main unit, and three digital transistors.

The eight output pins of the shift register are controlled according to data from the CPU, and the power supply is switched depending on the state of the shift register.

	8R1	8R0	8R3	8R4	T1	8R8	8RU	T4
RX 144MHz band	H	L	L	L	H	L	H	H
TX 144MHz band	L	L	L	L	L	L	L	H
RX 430MHz band	L	L	L	H	H	L	H	H
TX 430MHz band	L	L	L	L	H	L	L	L

H:8V, L:0V

Table 5

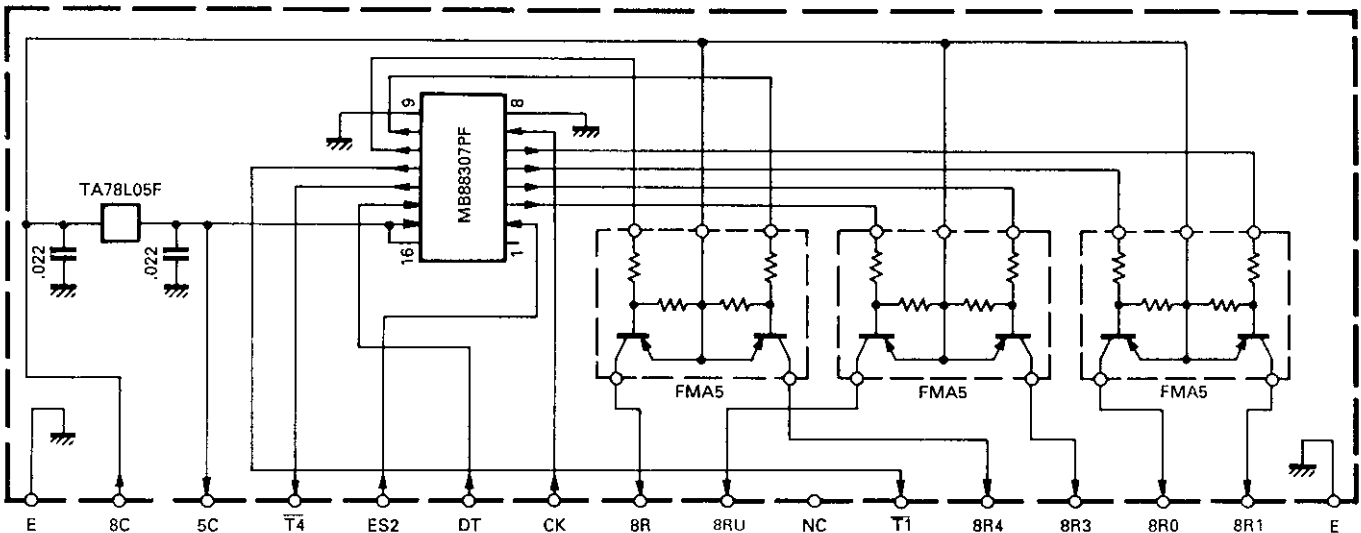


Fig. 14 Power switching circuit

• Input and output of CTCSS unit (option)

The optional CTCSS unit receives data from P21, P22, and P73 of the CPU. Figure 15 is a timing chart for CTCSS data transfer, and Figure 16 shows the format of CTCSS data. When a tone from the CTCSS unit is detected, an "H" level signal is input to T10 of the CPU, opening the squelch.

• Input and output of the remote control unit (option)

When the optional remote control unit is connected, an "H" level signal is input to INTO of the CPU, changing the function of the following pins.

- P03 → S1 : Serial data input pin
- P02 → S2 : Serial data output pin
- P01 → SCK : Serial clock I/O pin

• Input and output of DTMF unit (option)

Data is transmitted to the DTMF unit by P60, P61, P81 and P90 through P93 of the CPU. The DTMF code is transferred by P90 through P93. When the DTMF code is read, signal is input to P60, and the code is read. When the DTMF is transmitted, data is transmitted to P90 through P93. When P61 goes high, a tone is output.

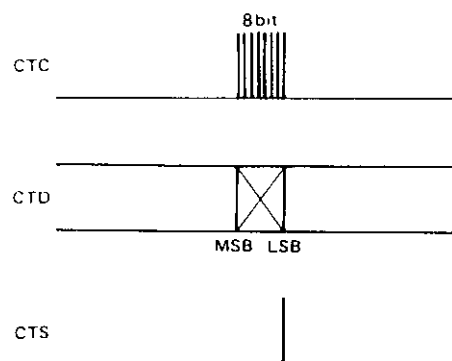
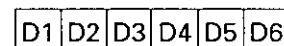


Fig. 15 Timing chart for CTCSS data transfer

Tone frequency select data for CTCSS unit



Example : 88.5Hz L H L H H H

Fig. 16 CTCSS data format

CIRCUIT DESCRIPTION

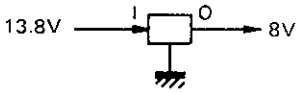
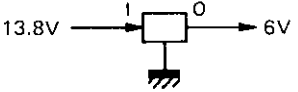
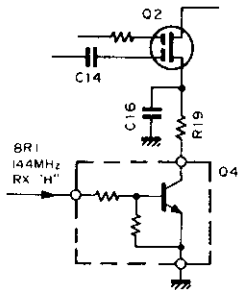
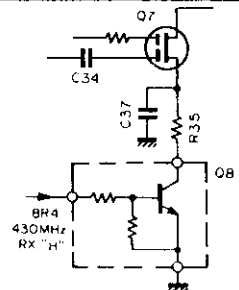
Pin No.	Pin name	I/O	Logic	Function	Pin No.	Pin name	I/O	Logic	Function
1	P41	O	-	D/A digital output (tone).	33	PTH01	I	-	Mic DOWN input.
2	P40	O	-		34	PTH00	I	-	Mic UP input.
3	P53	O	-		35	T10	I	H	CTCSS DET
4	P52	O	-		36	T11	I	L	BUSY input (VHF)
5	P51	O	-	DIMMER switch	37	P23	O	L	PLL IC enable output. (VHF)
6	P50	O	-		38	P22	O	-	Serial data output.
7	RESET	I	L	Reset input.	39	P21	O	-	Serial clock output.
8	X2	-	-	4.194304MHz crystal oscillator	40	P20	O	-	Beeper output.
9	X1	-	-		41	P03/SI	I/I	L/-	Mic DOWN/serial data input.
10	P63	I	-	Not used	42	P02/SO	I/O	L/-	Mic PTT input/serial data output.
11	P62	O	H	VHF PLL enable output. EP2	43	P01/SCK	I/-	L/-	Mic UP input/serial clock I/O.
12	P61	O	H	DTMF tone CE	44	INT4	I	H	Back-up detect input.
13	P60	I	H	DTMF signal check DV	45	P123	I	L	CALL, VFO
14	P73	O	H	CTCSS unit enable output.	46	P122	I	L	F, MR/M
15	P72	O	H	Shift register enable output. ESI	47	P121	I	L	SHIFT, MHz
16	P71	O	H	Shift register enable output. ES2	48	P120	I	L	TONE
17	P70	O	H	MIC mute	49	P133	I	L	REV
18	P83	O	H	DTMF receiver EN	50	P132	I	L	LOW, BAND
19	P82	O	H	Function control F.C.	51	P131	I	L	Transmit power select.
20	P81	O	-	DTMF switch DTSEL	52	P130	I	L	Busy input. (UHF)
21	P80	O	H	Shift register ST	53	P143	O	L	Squelch control.
22	P93	I	H	DTSS D4	54	P142	O	H	Power switch
23	P92	I	H	DTSS D3	55	P141	O	-	LCD driver clock output.
24	P91	I	H	DTSS D2	56	P140	O	-	LCD driver data output.
25	P90	I	H	DTSS D1	57	NC	-	H	Not used. (Connect V _{DD})
26	V _{SS}	-	-	GND.	58	V _{DD}	-	-	Power supply pin.
27	INT3	I	L	Unit check	59	P33	O	-	LCD driver enable output.
28	INT2	I	-	Encoder input.	60	P32	O	L	Distination output.
29	INT1	I	-		61	P31	O	L	Key output.
30	INT0	I	H	Remote connect detect input.	62	P30	O	L	
31	PTH03	I	-	S-meter analog input. (UHF)	63	P43	O	-	D/A digital output (tone).
32	PTH02	I	-	S-meter analog input. (VHF)	64	P42	O	-	

Table 6 75116GF terminal functions (TX-RX unit IC201)

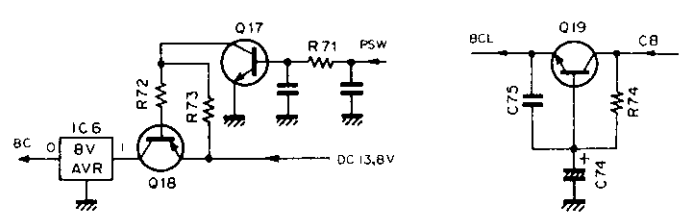
TM-702A/E

DESCRIPTION OF COMPONENTS

TX-RX UNIT (X57-3680-XX) -11:TM-702A(K), -21: TM-702A(M), -22: TM-702A (M2)
 1-01: TM-702A(P), 2-71: TM-702E(E), 2-72: TM-702E(E2)

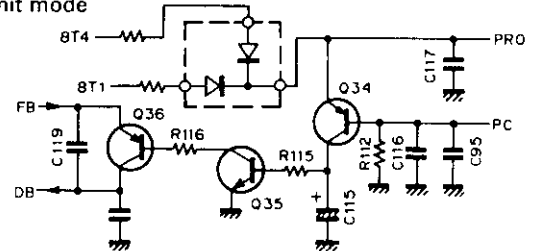
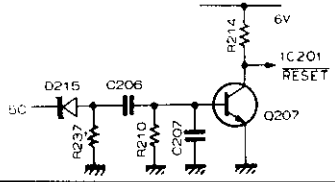
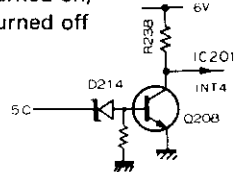
Component	Use/Function	Operation/Condition/Compatibility	
IC3 (UHF) IC11 (VHF)	2nd local oscillator, mixer, IF amplifier, detector, low-frequency amplifier, noise amplifier, noise detector, squelch switch	IC3 ① 1st IF signal input (30.825MHz: E. E2. M. M2, 21.6MHz: K. P) ③ ④ 2nd local oscillator (30.37MHz: E E2. M. M2, 21.145MHz: K.P) ⑨ Scan control, busy signal, busy : 0V ⑩ Noise detection voltage output (DC) ⑪ S-meter output ⑫ Detection output ⑬ RD output ⑭ AF output	IC11 ① 1st IF signal input (30.3 MHz: E. E2 M. M2, 16.9MHz: K. P) ③ ④ 2nd local oscillator (29.845 MHz : E. E2. M. M2, 17.355MHz: K. P) ⑨ Scan control, busy signal, busy : 0V ⑩ Noise detection voltage output (DC) ⑪ S-meter output ⑫ Detection output ⑬ RD output ⑭ AF output
IC5	Power switching	② 8V in receive mode (144MHz band) ③ 8V in receive mode (340MHz band) ⑥ 0V in transmit mode (144MHz band) ⑧ 8V in receive mode ⑫ 0V in transmit mode (430MHz band)	⑮ 5V output ⑭ 8V input
IC6	8V AVR	3-pin regulator	
IC7	10V AVR	② 10V output ⑦ 13.8V input	
IC8	AF amplification	① AF input ⑤ AF output	
IC9	144MHz-band transmit driver	Operates in transmit mode, 144 to 145.995MHz (K. P. M. M2) 144 to 147.995MHz (E. E2) ① Output ⑩ Input	
IC10	430MHz-band transmit driver	Operates in transmit mode, 430 to 439.995MHz (M. M2. E. E2) 438 to 449.995MHz (K. P) ① Output ⑩ Input	
IC201	Microprocessor	See Circuit Description	
IC202	6V AVR	3-pin regulator	
IC203	Tone A/D converter	① - ③ Input ⑤ Output	
IC301	Power amplification	144MHz band M57737R	
IC401	Power amplification	430MHz band M57729	
Q1	High-frequency amplification	Operates in receive mode, 144MHz-band	
Q2	1st mixer	Operates in receive mode	
Q4	Receive band switching	On in receive mode, 144MHz-band	
Q5,6	High-frequency amplification	Operates in receive mode, 430MHz band	
Q7	1st mixer	Operates in receive mode	
Q8	Receive band switching	In receive mode, 430MHz band	

DISRIPTION OF COMPONENTS

Compornent	Use/Function	Operation/Condition/Compatibility
Q12, Q38	1st IF amplification	Operates in receive mode, Q12 (30.825MHz: E. E2. M. M2., 21.6MHz: K. P) Q38 (30.3MHz: E. E2. M. M2., 16.9MHz: K. P)
Q17, 18	Power switch	When power switch is ON, Q17 and Q18 are ON When power switch is OFF, Q17 and Q18 are OFF
Q19	PLL 8V ripple filter	
Q20	Buffer amplification	12.8MHz
Q21	430MHz band PLL output amplification	399,175 to 409.17MHz (M. M., E. E2), 416.4~428.395MHz (K. P) in receive mode, 430 to 439.995MHz (M. M2. E. E2), 438 to 449.995MHz (K. P) in transmit mode
Q22	Mic line mute	On in receive mode (430MHz band)
Q23	CV line buffer	144MHz band
Q24	144MHz band PLL output	113.7 to 115.7MHz (M. M2), 113.7 to 117.7MHz (E. E2), 127.1~131.095MHz (K. P) in receive 144 to 145.995MHz (E. E2), 144 to 147.995MHz (K. P. M. M2) in transmit mode
Q25	Mic line mute	On in receive mode, 144MHz band
Q26 ~ Q28	430MHz band 8T switching	In receive mode, Q29 : OFF Q27 and Q28 : ON
Q29 ~ Q31	144MHz band 8T switching	In receive mode, Q29 : OFF Q27 and Q31 : ON
Q32	MID power switch	ON in MID power mode
Q33	LOW power switch	ON in LOW power mode

TM-702A/E

DESCRIPTION OF COMPONENTS

Component	Use/Function	Operation/Condition/Compatibility															
Q34 ~ 36	APC control	Operates in transmit mode 															
Q201 ~ Q204	Dimmer switch	Refer of circuit description on page 8.															
Q205, 206	Regulated voltage circuit for lamp	Refer to circuit description on page 8.															
Q207	Reset switch	On for approx. 3 ms when system power is turned on ; usually OFF 															
Q208	Back-up switch	On when S201 power switch is turned on, Off when S201 power switch is turned off 															
Q209, 210	Dimmer switch control	Changed by turning Q203 and Q204 ON and OFF. <table border="1" data-bbox="1045 1179 1460 1270"> <thead> <tr> <th>DIMMER</th> <th>1</th> <th>2</th> <th>3</th> <th>4</th> </tr> </thead> <tbody> <tr> <td>Q209</td> <td>ON</td> <td>OFF</td> <td>ON</td> <td>OFF</td> </tr> <tr> <td>Q210</td> <td>ON</td> <td>ON</td> <td>OFF</td> <td>OFF</td> </tr> </tbody> </table>	DIMMER	1	2	3	4	Q209	ON	OFF	ON	OFF	Q210	ON	ON	OFF	OFF
DIMMER	1	2	3	4													
Q209	ON	OFF	ON	OFF													
Q210	ON	ON	OFF	OFF													
Q211	Function lamp switch	ON in FUNCTION mode															
Q212	Mic mute	ON in DTSS code and paging code output.															
Q401	Protection switch	Adjust 430MHz with VR403, and 144MHz with VR404															
D1 ~ 6,15	Variable capacitance diode tuning	144MHz band															
D7	430MHz band transmit/receive switch	OFF in receive mode															
D9	430MHz band PLL output switch																
D10	430MHz band PLL output switch																
D11	144MHz band PLL output switch																
D12 ~ 14	Reverse current prevention																
D202	Standard voltage																
D203	Dimmer switch																
D204, 213	Reverse current prevention																
D205	Reverse current prevention, lithium battery switching	Lithium battery provides power when power is off															
D206~209	Destination setting																
D212	Microprocessor protection																
D214	Back-up detection																
D301	Power reverse connection prevention																
D302	144MHz band transmit/receive switching	MI407															
D303	144MHz band transmit/receive switching																
D304	144MHz band power detection	APC, RF meter															
D305	144MHz band reflected wave detection	Adjust with VR404, ANT short: 4A															
D401	430MHz band transmit/receive switching	MI407															
D403	430MHz band power detection	APC, RF meter															
D404	430MHz band reflected wave detection	Adjust with VR403, ANT short : 3A															
D405	Temperature compensation	APC															

DISRIPTION OF COMPONENTS

430PLL (X58-3480-01)

Compornent	Use/Function	Operation/Condition/Compatibility
ICI	PLL	① VCO input 399.175 ~ 409.17MHz (M. M2. E. E2) 416.4 ~ 428.395MHz (K. P) in receive mode 430 ~ 439.995MHz (M. M2. E. E2) 438 ~ 449.995MHz (K. P) in transmit mode ⑩ "H" in transmit mode ⑪ "H" in transmit mode ⑬ Phase comparision output ⑭ "H" when PLL unlocked ⑫ Reference oscillation input
Q1 ~3	LPF	
Q4	Transmit switch	
Q5	VCO output amplification	399.175 ~ 409.175MHz (M. M2. E. E2), 416.4 ~ 428.395MHz (K. P) in receive mode
Q101	VCO	
Q102	VCO output buffer	430 ~ 439.995MHz (M. M2. E. E2), 438 ~ 449.995MHz (K. P) in transmit mode
Q103	VCO switch	On when operated (430MHz band)
D1		
D101, 102	VCO voltage control	
D103	Varactor diode for modulation in Transmit mod	

144PLL (X58-3500-00: E. E2. M. M2), (X58-3670-11: K. P)

Compornent	Use/Function	Operation/Condition/Compatibility
ICI	PLL	① VCO input 113.7 ~ 115.7MHz (E. E2), 113.7 ~ 117.7MHz (M. M2), 127.1~131.095MHz (K. P) in reseive mode 144 ~ 145.995MHz (E. E2), 144 ~ 147.995MHz (K. P. M. M2) in transmit mode ⑩ "H" in trasmit mode ⑪ "H" in trasmit mode ⑬ Phase comparision output ⑭ "H" when PLL unlocked ⑫ Reference oscillation input
Q1,2	LPF	
Q3	Transmit switch	

TM-702A/E

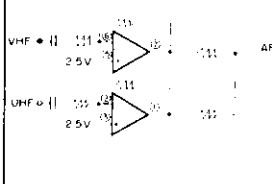
DESCRIPTION OF COMPONENTS

Component	Use/Function	Operation/Condition/Compatibility
Q4	VCO output amplification	113.7 ~ 115.7MHz (E, E2) 113.7 ~ 117.7MHz (M, M2), 127.1~131.095MHz (K, P) in receive mode 114 ~ 145.995MHz (E, E2), 144 ~ 147.995MHz (K, P, M, M2) in transmit mode
Q101	Receive VCO	113.7 ~ 115.7MHz (E, E2) 113.7 ~ 117.7MHz (M, M2), 127.1~131.095 (K, P)
Q102	Receive VCO switch	On in receive mode
Q103	Receive VCO output buffer	113.7 ~ 115.7MHz (E, E2) 113.7 ~ 117.7MHz (M, M2), 127.1~131.095MHz (K, P)
Q104	Transmit VCO	144 ~ 145.995MHz (E, E2), 144 ~ 147.995MHz (K, P, M, M2)
Q105	Transmit VCO switch	On in transmit mode
Q106	Transmit VCO output buffer	144 ~ 145.995MHz (E, E2), 144 ~ 147.995MHz (K, P, M, M2)
D101, 102	VCO voltage control	Receive
D103	VCO voltage control/varactor diode for Modulation in transmit mode	
D104	VCO voltage control	Transmission

MIC AMP (X59-3610-00)

Component	Use/Function	Operation/Condition/Compatibility
IC1 (1/2)	Limited amplification	
IC1 (2/2)	LPF	
Q1	Low-frequency amplification	

ELECTRONIC VOLUME CONTROL (X59-3800-00)

Component	Use/Function	Operation/Condition/Compatibility																																																																																					
IC1	AF preamplifier																																																																																						
IC2	Electronic VR (IC3) switching RD line switching	<p>ⓐ and ⓑ : "H" during normal operation On between ① and ③ and between ③ and ④ Off between ② and ⑤ and between ⑤ and between ⑥ ⓐ and ⓑ : "L" during remote operation with RC10 or RC20 Off between ① and ③ and between ③ and ④ On between ② and ⑤ and between ⑤ and ⑥ ③ : "L" for main VHF Off between ③ and ④, on between ① and ③ On between ③ and ④, off between ① and ③</p> 																																																																																					
IC3	Electronic VR	<p>② Output ① Input ⓐ Initial-pin "L" VR step 6 ⓑ "L" VR up ⓓ "L" VR down</p>																																																																																					
IC4	Shift register	<p>① ST input ⑦ Sub-mute setting MSB ② Data input ⑩ Q8 : "H" : UHF mute ③ Clock input ⑫ Q7 : NC ④ Sub-mute setting LSB ⑬ Q6 : NC ⑤ Sub-mute setting ⑭ Q5 : "H" : UHF main ⑥ Sub-mute setting</p>																																																																																					
IC5	Shift register	<p>① ST input ⑩ Q8 : "L" : Electronic VR switching remote operation ② Data input ⑬ Q7 : "H" when electronic VR is controlled remotely ③ Clock input ⑭ Q6 : "L" when electronic VR is up ④ Q1 : "H" when transmit power is low ⑮ Q5 : "L" when electronic VR is down ⑤ Q2 : "H" when transmit power is medium ⑥ Q3 : "H" : VHF mute ⑦ Q4 : "L" when repeater operates</p>																																																																																					
IC6	Main/sub switching	<p>③④⑤ : "L" : Main VHF ③④⑤ "H" : Main UHF Off between ① and ③ On between ① and ③ On between ① and ② Off between ① and ②</p>																																																																																					
Q1 ~ 4	Sub-mute switching	<table border="1" style="margin-left: auto; margin-right: auto;"> <thead> <tr> <th>Sub-mute</th> <th>AU</th> <th>1</th> <th>2</th> <th>3</th> <th>4</th> <th>5</th> <th>6</th> <th>7</th> <th>8</th> <th>9</th> <th>10</th> <th>11</th> <th>12</th> <th>13</th> <th>14</th> <th>15</th> </tr> </thead> <tbody> <tr> <td>Q1</td> <td>x</td> <td>○</td> <td>x</td> <td>○</td> <td>x</td> <td>○</td> <td>x</td> <td>○</td> <td>x</td> <td>○</td> <td>x</td> <td>○</td> <td>x</td> <td>○</td> <td>x</td> <td>○</td> </tr> <tr> <td>Q2</td> <td>x</td> <td>x</td> <td>○</td> <td>○</td> <td>x</td> <td>x</td> <td>○</td> <td>○</td> <td>x</td> <td>x</td> <td>○</td> <td>○</td> <td>x</td> <td>x</td> <td>○</td> <td>○</td> </tr> <tr> <td>Q3</td> <td>x</td> <td>x</td> <td>x</td> <td>x</td> <td>○</td> <td>○</td> <td>○</td> <td>○</td> <td>x</td> <td>x</td> <td>x</td> <td>○</td> <td>○</td> <td>○</td> <td>○</td> <td>○</td> </tr> <tr> <td>Q4</td> <td>x</td> <td>x</td> <td>x</td> <td>x</td> <td>x</td> <td>x</td> <td>x</td> <td>x</td> <td>○</td> <td>○</td> <td>○</td> <td>○</td> <td>○</td> <td>○</td> <td>○</td> <td>○</td> </tr> </tbody> </table> <p>○ : ON x : OFF For AU, when a signal enters the main, 15 is set automatically.</p>	Sub-mute	AU	1	2	3	4	5	6	7	8	9	10	11	12	13	14	15	Q1	x	○	x	○	x	○	x	○	x	○	x	○	x	○	x	○	Q2	x	x	○	○	x	x	○	○	x	x	○	○	x	x	○	○	Q3	x	x	x	x	○	○	○	○	x	x	x	○	○	○	○	○	Q4	x	x	x	x	x	x	x	x	○	○	○	○	○	○	○	○
Sub-mute	AU	1	2	3	4	5	6	7	8	9	10	11	12	13	14	15																																																																							
Q1	x	○	x	○	x	○	x	○	x	○	x	○	x	○	x	○																																																																							
Q2	x	x	○	○	x	x	○	○	x	x	○	○	x	x	○	○																																																																							
Q3	x	x	x	x	○	○	○	○	x	x	x	○	○	○	○	○																																																																							
Q4	x	x	x	x	x	x	x	x	○	○	○	○	○	○	○	○																																																																							
Q5	VHF mute switch	Operates when CTCSS is ON, BELL is on, and DTSS or pagins is ON : During TX, squelch ON, and VHF main Operates when squelch is ON for VHF sub																																																																																					
Q6	UHF mute switch	Operates when CTCSS is ON, BELL is ON, and DTSS or paging is ON : During TX, squelch ON, and UHF main Operates when squelch is ON for UHF sub																																																																																					

TM-702A/E

PARTS LIST

× New Parts

Parts without Parts No. are not supplied.

Les articles non mentionnés dans le Parts No. ne sont pas fournis.

Teile ohne Parts No. werden nicht geliefert.

TM-702A/E

Ref. No. 参照番号	Address 位置	New Parts 新	Parts No. 部品番号	Description 部品名 / 規格	Desti- nation 仕向	Re- marks 備考
TM-702A/E						
1	1B	*	A01-1067-23	METALLIC CABINET(UP SIDE)		
2	3B	*	A01-1068-23	METALLIC CABINET(BOTTOM)		
3	2B		A10-1294-01	CHASSIS CALKED ASSY		
4	2A, 2B		A22-0770-03	SUB PANEL		
5	2A, 3A	*	A62-0003-13	PANEL ASSY	KMM2P	
5	2A, 3A	*	A62-0009-13	PANEL ASSY	EE2	
6	2A		B11-0484-08	FILTER(LCD ASSY)		
7	3A, 3B		B30-0869-05	LAMP		
8	2A, 3A	*	B38-0348-05	LCD ASSY		
9	1B		B42-2455-04	LABEL(M4X8 MAX)		
			B42-3322-14	LABEL(ANT)		
			B42-3343-04	LABEL(MODEL)		
			B42-3369-04	LABEL(DC13.8V,EXT SP)		
			B42-3394-04	LABEL(FCC)	K	
			B46-0410-20	WARRANTY CARD	K	
			B46-0419-00	WARRANTY CARD	EE2	
			B46-0422-00	WARRANTY CARD	P	
		*	B62-0002-00	INSTRUCTION MANUAL	K	
		*	B62-0003-00	INSTRUCTION MANUAL	MM2P	
		*	B62-0003-00	INSTRUCTION MANUAL	EE2	
		*	B62-0004-00	INSTRUCTION MANUAL	EE2	
		*	B72-0003-04	MODEL NAME PLATE	KP	
		*	B72-0004-04	MODEL NAME PLATE	MM2	
		*	B72-0005-04	MODEL NAME PLATE	EE2	
			E23-0435-05	TERMINAL(ANT)		
10	1B		E30-2105-05	ANT CABLE(M)		
11	2B		E30-2106-05	ANT CABLE(N)	EE2	
11	2B		E30-2107-05	ANT CABLE(M)	KMM2P	
			E30-2111-05	DC CORD		
12	1B	*	E30-2137-15	DC CORD		
			E31-3346-05	CONNECTING WIRE(SP)		
			E31-6011-05	CONNECTING WIRE(6P)		
13	1B		F05-1031-05	FUSE(10A)		
			F05-2036-05	FUSE(20A)		
			F15-0670-04	SHIELDING PLATE		
16	2B		F20-0587-04	INSULATING SHEET(BATT.)		
17	2B		F20-1059-04	INSULATING SHEET(BATT.)		
18	2B		G02-0576-14	FLAT SPRING		
20	3A		G09-0405-05	KNOB FIXED SPRING		
21	1B		G10-0651-04	NON-WOVEN FABRIC(SP)		
22	1B, 3B		G10-0684-04	NON-WOVEN FABRIC(130X10)		
23	2B		G13-0639-04	CUSHION(15X6X5)		
24	2A		G13-0906-04	CUSHION(3KEY)		
25	1A		G13-0910-14	CONDUCTIVE CUSHION(UPSIDE)		
26	2B		G13-0926-04	CUSHION		
27	3B		G13-0932-04	CONDUCTIVE CUSHION(BOTTOM)		
28	2A		G13-0960-04	CUSHION(6KEY)		
29	2B		G13-0961-04	CUSHION(LOW)		
			H10-2656-02	POLYSTYRENE FOAMED FIXTURE		
			H11-0822-04	POLYSTYRENE PLATE	K	
			H11-0823-04	POLYSTYRENE PLATE	MM2P	

E: Scandinavia & Europe K: USA P: Canada W: Europe

U: FX(Far East, Howar) T: England M: Other Areas

UE: AAFES(Europe) X: Australia

TM-702A: K,P,M,M2

TM-702A: E,E2

PARTS LIST

× New Parts

Parts without Parts No. are not supplied.

Les articles non mentionnés dans le Parts No. ne sont pas fournis.

Telle ohne Parts No. werden nicht geliefert.

TM-702A/E

TX-RX UNIT (X57-3680-XX),(X57-3682-XX)

Ref. No. 参照番号	Address 位置	New Parts 新	Parts No. 部品番号	Description 部品名 / 規格	Desti- nation 仕 向	Re- marks 備考
			H13-0814-04	PROTECTION BOARD(BRACKET)		
			H13-0825-04	PROTECTION BOARD	MM2P	
			H13-0825-04	PROTECTION BOARD	EE2	
			H25-0029-04	PROTECTION BAG(MIC HOOK, SCREW)	K	
			H25-0117-04	PROTECTION BAG(PC CORD)		
			H25-0720-04	PROTECTION BAG(TM-702)		
		*	H25-0750-04	PROTECTION BAG(IM)	MM2	
		*	H25-0750-04	PROTECTION BAG(IM)	EE2P	
		*	H52-0003-04	ITEM CARTON BOX	KP	
		*	H52-0004-04	ITEM CARTON BOX	MM2	
		*	H52-0005-04	ITEM CARTON BOX	EE2	
			J20-0319-24	MIC HOOK		
31	1B		J21-2717-14	MOUNTING HARDWARE(SP)	KP	
32	2A		J21-4303-08	MOUNTING HARDWARE(LCD ASSY)		
			J29-0436-03	BRACKET		
33	2A		K27-3035-14	KNOB(VFO.MR.MHz)		
34	2B		K27-3066-04	KNOB(POWER)		
35	2B		K27-3067-04	KNOB(LOW)		
37	3A		K27-3068-04	KNOB(CALL)		
38	3A		K27-3069-04	KNOB(F)		
40	3A		K27-3071-04	KNOB(TONE)		
41	3A		K27-3072-04	KNOB(REV)		
42	3A		K27-3073-04	KNOB(BAND)		
39	3A	*	K27-3074-04	KNOB(SHIFT)		
43	3A		K29-3156-04	KNOB(MAIN)		
44	3A		K29-3157-04	KNOB(VOL.SQL)		
A	1B, 3B		N09-0626-04	SCREW		
B	2B		N09-0650-05	SCREW		
C	1B, 3B		N33-2606-45	OVAL HEAD MACHINE SCREW		
			N46-3010-46	PAN HEAD TAPPING SCREW	KP	
D	2B, 3B		N87-2606-46	BRAZIER HEAD TAPTITE SCREW		
E	2B		N87-2610-46	BRAZIER HEAD TAPTITE SCREW		
F	2A, 2B		N88-2606-46	FLAT HEAD TAPTITE SCREW		
			N99-0331-05	SCREW SET		
45	1B		T07-0246-05	LOUDSPEAKER(FULLRANGE)		
			T91-0379-25	MICROPHONE	MM2	
			T91-0380-35	MICROPHONE	KP	
			T91-0382-25	MICROPHONE	EE2	
IC1			MSM5265GSK	IC(LCD DRIVER)		
IC301			M57737R	IC(POWER MODULE/ 144-148MHZ)		
IC401			M57729	IC(POWER MODULE)		
LCD1		*	SLU1684	LCD		
46	2B		W01-0414-04	WRENCH		
48	2A		W09-0326-05	LITHIUM BATTERY		
			490-0139-05	COPPER LEAF TAPE		
47	3B	*	X57-3680-11	TX-RX UNIT	KP	
47	3B	*	X57-3680-21	TX-RX UNIT	M	
47	3B	*	X57-3680-22	TX-RX UNIT	M2	
47	3B	*	X57-3682-71	TX-RX UNIT	E	
47	3B	*	X57-3682-72	TX-RX UNIT	E2	
TX-RX UNIT (TM-702A:X57-3680-XX)-11. K, P, -21:M, -22:M2, (TM-702E:X57-3682-XX) -71:E, -72:E2						
C1			CC73FCH1H040C	CHIP C 4PF C		
C4	-7		CK73FB1H102K	CHIP C 1000PF K		

E: Scandinavia & Europe K: USA P: Canada W: Europe

U: PX(Far East, Hawaii) T: England M: Other Areas

UE: AAFES(Europe) X: Australia

TM-702A: K,P,M,M2
TM-702E: E,E2

⚠ indicates safety critical components.

TM-702A/E

PARTS LIST

× New Parts

Parts without Parts No. are not supplied.

Les articles non mentionnés dans le Parts No. ne sont pas fournis.

Teile ohne Parts No. werden nicht geliefert.

TM-702A/E
TX-RX UNIT (X57-3680-XX),(X57-3682-XX)

Ref. No. 参照番号	Address 位置	New Parts 新	Parts No. 部品番号	Description 部品名 / 規格	Desti- nation 仕向	Re- marks 備考
C8			CC73FCH1H0R5C	CHIP C 0.5PF C		
C9 ,10			CC73FCH1H680J	CHIP C 68PF J		
C11			CC73FCH1H0R5C	CHIP C 0.5PF C		
C12			CC73FCH1H680J	CHIP C 68PF J		
C13			CK73FB1H102K	CHIP C 1000PF K		
C14			CC73FCH1H150J	CHIP C 15PF J		
C15			CC73FCH1H030C	CHIP C 3PF C		
C16 -18			CK73FB1H102K	CHIP C 1000PF K		
C21			CC73FCH1H040C	CHIP C 4PF C		
C22 ,23			CK73FB1H102K	CHIP C 1000PF K		
C24			CK73FB1H471K	CHIP C 470PF K		
C25			CK73FB1H102K	CHIP C 1000PF K		
C26			CK73FB1E223K	CHIP C 0.022UF K		
C27			CK73FB1H102K	CHIP C 1000PF K		
C28			CC73FCH1H010C	CHIP C 1PF C		
C29			CK73FB1H471K	CHIP C 470PF K		
C30			CC73FCH1H390J	CHIP C 39PF J		
C31 ,32			CK73FB1H102K	CHIP C 1000PF K		
C33			CC73FCH1HR75C	CHIP C 0.75PF C		
C34			CC73FCH1H390J	CHIP C 39PF J		
C35			CC73FCH1H030C	CHIP C 3PF C	KP	
C35			CC73FCH1H050C	CHIP C 5PF C	MM2	
C35			CC73FCH1H050C	CHIP C 5PF C	EE2	
C36 ,37			CK73FB1H102K	CHIP C 1000PF K		
C38			CK73FB1H471K	CHIP C 470PF K		
C39			CK73FB1H102K	CHIP C 1000PF K		
C40			CK73FB1H103K	CHIP C 0.010UF K		
C41			CC73FCH1H080D	CHIP C 8PF D	MM2EE2	
C41			CC73FCH1H100D	CHIP C 10PF D	KP	
C42			CK73FB1H103K	CHIP C 0.010UF K		
C43			CK73FB1H102K	CHIP C 1000PF K		
C44			CK73EB1E104K	CHIP C 0.10UF K		
C45			CK73FB1E223K	CHIP C 0.022UF K		
C46			CE04EW1C470M	ELECTR0 47UF 16WV		
C47			CC73FCH1H120J	CHIP C 12PF J	MM2EE2	
C47			CC73FCH1H680J	CHIP C 68PF J	KP	
C48			CC73FCH1H330J	CHIP C 33PF J		
C49			CK73FB1H102K	CHIP C 1000PF K		
C50			C92-0504-05	CHIP TAN 0.68UF 20WV		
C51 -53			CK73EF1C105Z	CHIP C 1.0UF Z		
C54			CK73FB1H103K	CHIP C 0.010UF K	KP	
C55			CK73FB1H102K	CHIP C 1000PF K	KP	
C56 ,57			CK73FB1H103K	CHIP C 0.010UF K	KP	
C58			CC73FSL1H101J	CHIP C 100PF J	KP	
C59			CE04EW1C100M	ELECTR0 10UF 16WV	KP	
C60			CK73FB1E223K	CHIP C 0.022UF K	KP	
C61			CK73FB1E333K	CHIP C 0.033UF K	KP	
C62			C92-0004-05	CHIP TAN 1.0UF 16WV	KP	
C63			CK73FB1H102K	CHIP C 1000PF K	KP	
C65 ,66			CC73FSL1H101J	CHIP C 100PF J		
C67 -68			CK73FB1H102K	CHIP C 1000PF K		
C69 ,70			CK73FB1H102K	CHIP C 1000PF K		
C71			CK73FB1H103K	CHIP C 0.010UF K		
C72			CE04EW1A101M	ELECTR0 100UF 10WV		
C73			CK73FB1H102K	CHIP C 1000PF K		

E: Scandinavia & Europe K: USA P: Canada W: Europe

U: PX(Far East, Hawaii) T: England M: Other Areas

UE: AAFES(Europe) X: Australia

TM-702A: K,P,M,M2
TM-702E: E,E2

△ indicates safety critical components.

PARTS LIST

× New Parts

Parts without Parts No. are not supplied.

Les articles non mentionnés dans le Parts No. ne sont pas fournis.

Telle ohne Parts No. werden nicht geliefert.

TM-702A/E
TX-RX UNIT (X57-3680-XX),(X57-3682-XX)

Ref. No. 参照番号	Address 位置	New Parts 新	Parts No. 部品番号	Description 部品名 / 規格	Desti- nation 仕向	Re- marks 備考
C74			CE04EW1A221M	ELECTRO 220UF 10WV		
C75			CK73FB1H102K	CHIP C 1000PF K		
C76			CK73FB1H103K	CHIP C 0.010UF K		
C77			CE04EW1A221M	ELECTRO 220UF 10WV		
C78			CK73EB1E104K	CHIP C 0.10UF K		
C79			CK73FB1H102K	CHIP C 1000PF K		
C80			CE04EW1A221M	ELECTRO 220UF 10WV		
C81			CK73FB1H102K	CHIP C 1000PF K		
C82			CK73FB1E333K	CHIP C 0.033UF K		
C83 -85			CE04EW1C470M	ELECTRO 47UF 16WV		
C86			CQ92M1H154K	MYLAR 0.15UF K		
C87			CE04EW1A471M	ELECTRO 470UF 10WV		
C88			CE04EW1C101M	ELECTRO 100UF 16WV		
C89			CK73FB1H103K	CHIP C 0.010UF K		
C90			CC73FCH1H050C	CHIP C 5PF C		
C91			CK73FB1E223K	CHIP C 0.022UF K		
C92			CK73FB1H102K	CHIP C 1000PF K		
C93			CK73EF1C105Z	CHIP C 1.0UF Z		
C94			CK73FF1E104Z	CHIP C 0.1UF Z		
C95			CK73FB1H102K	CHIP C 1000PF K		
C96			CE04EW1C470M	ELECTRO 47UF 16WV		
C97			CC73FCH1H060D	CHIP C 6PF D	KP	
C98			CK73FB1H102K	CHIP C 1000PF K		
C99			CC73FCH1H040C	CHIP C 4PF C	KP	
C99			CC73FCH1H060D	CHIP C 6PF D	MM2EE2	
C100			CK73EF1C105Z	CHIP C 1.0UF Z		
C101			CK73FB1H103K	CHIP C 0.010UF K		
C102			CC73FCH1H100D	CHIP C 10PF D		
C103			CK73FB1H102K	CHIP C 1000PF K		
C104			CC73FCH1H270J	CHIP C 27PF J		
C105			CK73EF1C105Z	CHIP C 1.0UF Z		
C106			C92-0002-05	CHIP TAN 0.22UF 35WV		
C107			C92-0504-05	CHIP TAN 0.68UF 20WV		
C108			C92-0002-05	CHIP TAN 0.22UF 35WV		
C109			C92-0504-05	CHIP TAN 0.68UF 20WV		
C110,111			CK73FB1H102K	CHIP C 1000PF K		
C112			CK73EF1C105Z	CHIP C 1.0UF Z		
C113,114			CE04EW1C100M	ELECTRO 10UF 16WV		
C115			C92-0005-05	CHIP TAN 2.2UF 6.3WV		
C116-122			CK73FB1H102K	CHIP C 1000PF K		
C123			C90-2092-05	ELECTRO 10UF 16WV		
C124			CK73FB1H102K	CHIP C 1000PF K		
C125,126			CK73FB1H471K	CHIP C 470PF K		
C127			CC73FCH1H120J	CHIP C 12PF J		
C128			CK73FB1H103K	CHIP C 0.010UF K		
C129			CC73FCH1H070D	CHIP C 7PF D		
C130			CK73FB1H102K	CHIP C 1000PF K		
C131			CK73FB1H103K	CHIP C 0.010UF K		
C132			CK73FB1H102K	CHIP C 1000PF K		
C133			CK73EB1E104K	CHIP C 0.10UF K		
C134			CK73FB1E223K	CHIP C 0.022UF K		
C135			CE04EW1C470M	ELECTRO 47UF 16WV		
C136			CC73FSL1H330J	CHIP C 33PF J	KP	
C136			CC73FSL1H470J	CHIP C 47PF J	MM2	
C136			CC73FSL1H470J	CHIP C 47PF J	EE2	

E: Scandinavia & Europe K: USA P: Canada W: Europe

U: PX(Far East, Hawaii) T: England M: Other Areas

UE: AAFES(Europe) X: Australia

TM-702A: K,P,M,M2
TM-702E: E,E2

⚠ indicates safety critical components.

TM-702A/E

PARTS LIST

× New Parts

Parts without Parts No. are not supplied.

Les articles non mentionnés dans le Parts No. ne sont pas fournis.

Telle ohne Parts No. werden nicht geliefert.

TM-702A/E

TX-RX UNIT (X57-3680-XX),(X57-3682-XX)

Ref. No. 参照番号	Address 位置	New Parts 新	Parts No. 部品番号	Description 部品名 / 規格	Desti- nation 仕向	Re- marks 備考
C137			CC73FSL1H390J	CHIP C 39PF J	MM2 EE2 KP	
C137			CC73FSL1H390J	CHIP C 39PF J		
C137			CC73FSL1H560J	CHIP C 56PF J		
C138			CK73EF1C105Z	CHIP C 1.0UF Z		
C139			C92-0504-05	CHIP TAN 0.68UF 20WV		
C140			CK73EF1C105Z	CHIP C 1.0UF Z		
C141			CK73FB1H332K	CHIP C 3300PF K		
C142-145			CK73FB1H471K	CHIP C 470PF K		
C146, 147			CC73FCH1H100D	CHIP C 10PF D		
C148, 149			CK73FB1H471K	CHIP C 470PF K		
C150, 151			CC73FCH1H070D	CHIP C 7PF D	MM2EE2 MM2EE2 KP	
C153			CC73FCH1H030C	CHIP C 3PF C		
C153			CC73FCH1H030C	CHIP C 3PF C		
C153			CC73FCH1H040C	CHIP C 4PF C		
C154, 155			CK73EF1C105Z	CHIP C 1.0UF Z		
C156			CK73FB1H102K	CHIP C 1000PF K		
C201			CK73FB1H102K	CHIP C 1000PF K		
C202			CK73FB1H103K	CHIP C 0.010UF K		
C203			CK73FB1H102K	CHIP C 1000PF K		
C204			CK73FB1H103K	CHIP C 0.010UF K		
C205			CE04NW0J221M	ELECTRO 220UF 6.3WV		
C206			CK73FB1E223K	CHIP C 0.022UF K		
C207			CK73FB1H102K	CHIP C 1000PF K		
C208, 209			CC73FCH1H330J	CHIP C 33PF J		
C210, 211			CK73FB1H103K	CHIP C 0.010UF K		
C212-214			CC73FSL1H101J	CHIP C 100PF J		
C215-217			CK73FB1H102K	CHIP C 1000PF K		
C218			CK73EB1E104K	CHIP C 0.10UF K		
C219, 220			CK73FB1H103K	CHIP C 0.010UF K		
C301-303			CK73FB1H102K	CHIP C 1000PF K		
C305, 306			CK73FB1H102K	CHIP C 1000PF K		
C307, 308			CE04EW1C100M	ELECTRO 10UF 16WV		
C309			CC45SL2H180J	CERAMIC 18PF J		
C310-312			CK73FB1H102K	CHIP C 1000PF K		
C313			CC45SL2H220J	CERAMIC 22PF J		
C314			CC73FCH1H180J	CHIP C 18PF J		
C316			CC45SL2H330J	CERAMIC 33PF J		
C317			CK73FB1H102K	CHIP C 1000PF K		
C319			CK45B2H102K	CERAMIC 1000PF K		
C320			CC45SL2H330J	CERAMIC 33PF J		
C321			CC73FCH1H020C	CHIP C 2.0PF C		
C322, 323			CK73FB1H102K	CHIP C 1000PF K		
C325			CC45SL2H220J	CERAMIC 22PF J		
C326			CC73FCH1H010C	CHIP C 1PF C		
C401			CK73FB1H471K	CHIP C 470PF K		
C402			CE04CW1C100M	ELECTRO 10UF 16WV		
C403			CK73FB1H471K	CHIP C 470PF K		
C404			CE04CW1C100M	ELECTRO 10UF 16WV		
C405			CK73FB1H471K	CHIP C 470PF K		
C406			CM73F2H080D	CHIP C 8.0PF D	KP	
C406			CM73F2H090D	CHIP C 9.0PF D	MM2 EE2	
C406			CM73F2H090D	CHIP C 9.0PF D		
C407, 408			CK73FB1H471K	CHIP C 470PF K		
C409			CC73FCH1H050C	CHIP C 5PF C		
C410			CC45SL2H030C	CERAMIC 3.0PF C		

E: Scandinavia & Europe K: USA P: Canada W: Europe

TM-702A: K, P, M, M2

U: PX(Far East, Hawaii) T: England M: Other Areas

TM-702E: E, E2

UE: AAFES(Europe) X: Australia

△ indicates safety critical components

PARTS LIST

× New Parts

Parts without Parts No. are not supplied.

Les articles non mentionnés dans le Parts No. ne sont pas fournis.

Teile ohne Parts No. werden nicht geliefert.

TX-RX UNIT (X57-3680-XX), (X57-3682-XX) TM-702A/E

Ref. No. 参照番号	Address 位置	New Parts 新	Parts No. 部品番号	Description 部品名 / 規格	Desti- nation 仕向	Re- marks 備考
C411			CC73FCH1H010C	CHIP C 1PF C		
C412			CM73F2H140J	CHIP C 14PF J		
C413			CM73F2H100D	CHIP C 10PF D		
C415, 416			CK73FB1H471K	CHIP C 470PF K		
C417			CK45B2H102K	CERAMIC 1000PF K		
C422			CM73F2H020C	CHIP C 2.0PF C		
C423			CK73FB1H102K	CHIP C 1000PF K		
C424			C92-0507-05	CHIP TAN 4.7UF 6.3WV		
C425			CK73FB1H102K	CHIP C 1000PF K		
C426, 427			CK73FB1H472K	CHIP C 4700PF K		
C428-430			CK73FB1H102K	CHIP C 1000PF K		
C431			CK73FB1H471K	CHIP C 470PF K		
C432-435			CK73FB1H102K	CHIP C 1000PF K		
C436			C92-0507-05	CHIP TAN 4.7UF 6.3WV		
TC1, 2			C05-0346-05	TRIM CAP		
TC3			C05-0345-05	TRIMMING CAP (10P)		
CN1			E04-0154-05	RF COAXIAL CABLE RECEPTACLE		
CN2, 3			E40-5209-05	PIN CONNECTOR(6P)		
CN4			E04-0154-05	RF COAXIAL CABLE RECEPTACLE		
CN5, 6			E40-5202-05	PIN CONNECTOR(13P)		
CN7			E40-5183-05	PIN CONNECTOR(6P)		
CN201, 202			E40-5203-05	PIN CONNECTOR(13P)		
CN203			E40-5185-05	PIN CONNECTOR(8P)		
CN204			E40-5187-05	PIN CONNECTOR(10P)		
CN205			E40-5341-05	PIN CONNECTOR(9P)		
CN301			E40-3249-05	PIN CONNECTOR(5P)		
CN302			E40-3246-05	PIN CONNECTOR(2P)		
CN303			E40-3483-05	PIN CONNECTOR(4P)		
CN401			E40-0274-05	PIN CONNECTOR(2P)		
CN402, 403			E40-5208-05	PIN CONNECTOR(6P)		
CN404			E40-5210-05	PIN CONNECTOR(4P)		
J201		*	E06-0860-05	CYLINDRICAL RECEPTACLE		
J401			E11-0425-05	PHONE JACK		
TP1			E40-0211-05	PIN CONNECTOR(2P)		
TP2, 3			E23-0464-05	TERMINAL		
TP301			E23-0465-05	TERMINAL		
TP401, 402			E23-0465-05	TERMINAL		
W1			E31-6009-05	CONNECTING WIRE(2P)		
W2			E31-6010-05	CONNECTING WIRE(5P)		
W201			E31-6003-15	CONNECTING WIRE(CTCSS)		
W202		*	E33-1871-15	FINISHED WIRE SET	KP	
W202		*	E33-1871-15	FINISHED WIRE SET	MM2E	
W301			E31-3350-05	CONNECTING WIRE(FB)		
W401			E31-2066-05	CONNECTING WIRE(D0)		
W402			E31-6013-05	CONNECTING WIRE(RA)		
			J30-0545-05	SPACER		
			J31-0534-05	COLLAR		
CD1, 2			L79-1013-05	DISCRI		
CF1, 2			L72-0372-05	CERAMIC FILTER		
L1 -4			L34-4080-05	COIL		
L5			L34-0956-05	COIL	KP	
L5		*	L34-4260-05	COIL	MM2	
L5		*	L34-4260-05	COIL	EE2	

E: Scandinavia & Europe K: USA P: Canada W: Europe

U: PX(Far East, Hawaii) T: England M: Other Areas

UE: AAFES(Europe) X: Australia

TM-702A: K, P, M, M2
TM-702E: E, E2

⚠ indicates safety critical components.

TM-702A/E

PARTS LIST

× New Parts

Parts without Parts No. are not supplied.

Les articles non mentionnés dans le Parts No. ne sont pas fournis.

Teile ohne Parts No. werden nicht geliefert.

TM-702A/E

TX-RX UNIT (X57-3680-XX),(X57-3682-XX)

Ref. No. 参照番号	Address 位置	New Parts 新	Parts No. 部品番号	Description 部品名 / 規格	Desti- nation 仕 向	Re- marks 備考
L6			L40-1872-80	SMALL FIXED INDUCTOR(18NH)		
L7			L40-1272-48	SMALL FIXED INDUCTOR(12NH)		
L8 ,9			L79-0690-05	HELICAL BLOCK		
L10 ,11			L40-1872-48	SMALL FIXED INDUCTOR(18NH)	KP	
L12			L30-0508-05	COIL		
L12			L34-2157-05	TUNING COIL	MM2	
L12			L34-2157-05	TUNING COIL	EE2	
L13			L40-2772-48	SMALL FIXED INDUCTOR(27NH)	KP	
L13			L40-3972-48	SMALL FIXED INDUCTOR(39NH)	MM2	
L13			L40-3972-48	SMALL FIXED INDUCTOR(39NH)	EE2	
L14			L40-1092-81	SMALL FIXED INDUCTOR(10UH)	MM2	
L14			L40-1092-81	SMALL FIXED INDUCTOR(10UH)	EE2	
L15			L40-2272-48	SMALL FIXED INDUCTOR(22NH)		
L16			L40-6872-80	SMALL FIXED INDUCTOR(68NH)		
L17			L34-2157-05	COIL	MM2	
L17			L34-2157-05	COIL	EE2	
L17			L34-4105-05	COIL	KP	
L18			L40-1092-81	SMALL FIXED INDUCTOR(10UH)	MM2	
L18			L40-1092-81	SMALL FIXED INDUCTOR(10UH)	EE2	
L19			L40-4782-48	SMALL FIXED INDUCTOR(0.47UH)		
L20 -24			L40-1092-48	SMALL FIXED INDUCTOR(10UH)		
L25			L40-3372-80	SMALL FIXED INDUCTOR(33NH)		
L26			L40-2272-48	SMALL FIXED INDUCTOR(22NH)		
L302			L34-1260-05	COIL (10.5T)		
L303			L34-0895-05	COIL (6T)		
L304, 305			L34-0742-05	COIL (5T)		
L306			L34-1260-05	COIL (10.5T)		
L307			L34-0499-05	COIL (4T)		
L401			L34-1239-05	COIL (10.5T)		
L402			L34-1185-05	COIL (2.5T)		
L403			L34-1040-05	COIL (1T)		
L404			L34-1226-05	COIL (1.5T)		
X1			L77-1253-05	CRYSTAL RESONATOR(21.145MHz)	KP	
X1			L77-1356-05	CRYSTAL RESONATOR(30.37MHz)	MM2	
X1			L77-1356-05	CRYSTAL RESONATOR(30.37MHz)	EE2	
X2			L77-1405-05	CRYSTAL RESONATOR(12.8MHz)		
X3			L77-1357-05	CRYSTAL RESONATOR(17.355MHz)	KP	
X3			L77-1444-05	CRYSTAL RESONATOR(29.845MHz)	MM2	
X3			L77-1444-05	CRYSTAL RESONATOR(29.845MHz)	EE2	
X201			L77-1397-05	CRYSTAL RESONATOR(4.19MHz)		
XF1			L71-0252-05	CRYSTAL FILTER(21.6MHz)	KP	
XF1			L71-0263-05	CRYSTAL FILTER(30.825MHz)	MM2	
XF1			L71-0263-05	CRYSTAL FILTER(30.825MHz)	EE2	
XF2			L71-0276-05	CRYSTAL FILTER(16.9MHz)	KP	
XF2			L71-0294-05	CRYSTAL FILTER(30.3MHz)	MM2	
XF2			L71-0294-05	CRYSTAL FILTER(30.3MHz)	EE2	
R1			RK73FB2A103J	CHIP R 10K J 1/10W		
R2			RK73FB2A223J	CHIP R 22K J 1/10W		
R3			RK73FB2A101J	CHIP R 100 J 1/10W		
R4			RK73FB2A274J	CHIP R 270K J 1/10W		
R5 -8			RK73FB2A103J	CHIP R 10K J 1/10W		
R9			RK73FB2A101J	CHIP R 100 J 1/10W		
R10 ,11			R92-0670-05	CHIP R 0 OHM		
R12			RK73FB2A273J	CHIP R 27K J 1/10W	KP	

E: Scandinavia & Europe K: USA P: Canada W: Europe

TM-702A: K,P,M,M2
TM-702E: E,E2

PARTS LIST

× New Parts

Parts without Parts No. are not supplied.

Les articles non mentionnés dans le Parts No. ne sont pas fournis.

Teile ohne Parts No. werden nicht geliefert.

TM-702A/E
TX-RX UNIT (X57-3680-XX),(X57-3682-XX)

Ref. No. 参照番号	Address 位置	New Parts 新	Parts No. 部品番号	Description 部品名 / 規格	Desti- nation 仕 向	Re- marks 備考
R13			RK73FB2A473J	CHIP R 47K J 1/10W		
R14			RK73FB2A273J	CHIP R 27K J 1/10W		
R15			RK73FB2A104J	CHIP R 100K J 1/10W		
R16			RK73FB2A473J	CHIP R 47K J 1/10W		
R17			RK73FB2A274J	CHIP R 270K J 1/10W		
R18			RK73FB2A470J	CHIP R 47 J 1/10W		
R19			RK73FB2A220J	CHIP R 22 J 1/10W	KP	
R19			RK73FB2A470J	CHIP R 47 J 1/10W	MM2EE2	
R20			RK73FB2A104J	CHIP R 100K J 1/10W		
R21 , 22			R92-0670-05	CHIP R 0 OHM		
R23			RK73FB2A222J	CHIP R 2.2K J 1/10W		
R24			RK73FB2A104J	CHIP R 100K J 1/10W		
R25			RK73FB2A333J	CHIP R 33K J 1/10W		
R26 , 27			RK73FB2A101J	CHIP R 100 J 1/10W		
R28			RK73FB2A470J	CHIP R 47 J 1/10W		
R29			RK73FB2A270J	CHIP R 27 J 1/10W		
R30			RK73FB2A471J	CHIP R 470 J 1/10W		
R31 , 32			RK73FB2A102J	CHIP R 1.0K J 1/10W		
R33			RK73FB2A223J	CHIP R 22K J 1/10W		
R34			RK73FB2A102J	CHIP R 1.0K J 1/10W		
R35			RK73FB2A221J	CHIP R 220 J 1/10W		
R37			R92-0670-05	CHIP R 0 OHM		
R38			R92-0670-05	CHIP R 0 OHM		
R39			R92-0670-05	CHIP R 0 OHM		
R40			RK73FB2A222J	CHIP R 2.2K J 1/10W		
R41			RK73FB2A101J	CHIP R 100 J 1/10W		
R42			RK73FB2A122J	CHIP R 1.2K J 1/10W		
R43			RK73FB2A181J	CHIP R 180 J 1/10W		
R44			RK73FB2A334J	CHIP R 330K J 1/10W		
R45			RK73FB2A102J	CHIP R 1.0K J 1/10W		
R46			RK73FB2A224J	CHIP R 220K J 1/10W		
R47			RK73FB2A473J	CHIP R 47K J 1/10W		
R48			RK73FB2A103J	CHIP R 10K J 1/10W		
R49			RK73FB2A474J	CHIP R 470K J 1/10W		
R50			RK73FB2A332J	CHIP R 3.3K J 1/10W	KP	
R51			RK73FB2A274J	CHIP R 270K J 1/10W	KP	
R52			RK73FB2A102J	CHIP R 1.0K J 1/10W	KP	
R53			RK73FB2A104J	CHIP R 100K J 1/10W		
R54			RK73FB2A681J	CHIP R 680 J 1/10W	KP	
R55			RK73FB2A272J	CHIP R 2.7K J 1/10W	KP	
R56			RK73FB2A102J	CHIP R 1.0K J 1/10W		
R57 , 58			RK73FB2A473J	CHIP R 47K J 1/10W		
R59			RK73FB2A103J	CHIP R 10K J 1/10W		
R60			RK73FB2A102J	CHIP R 1.0K J 1/10W		
R61			RK73FB2A272J	CHIP R 2.7K J 1/10W	KPMM2	
R61			R92-0670-05	CHIP R 0 OHM	E	
R62			RK73FB2A472J	CHIP R 4.7K J 1/10W	KPMM2	
R62			RK73FB2A682J	CHIP R 6.8K J 1/10W	E	
R63			R92-0670-05	CHIP R 0 OHM		
R64			RK73FB2A223J	CHIP R 22K J 1/10W		
R65			R92-0670-05	CHIP R 0 OHM		
R66			RK73FB2A683J	CHIP R 68K J 1/10W		
R67			RK73FB2A103J	CHIP R 10K J 1/10W		
R68			RK73FB2A154J	CHIP R 150K J 1/10W		
R69			RK73FB2A223J	CHIP R 22K J 1/10W		

E: Scandinavia & Europe K: USA P: Canada W: Europe

U: PX(Far East, Hawaii) T: England M: Other Areas

UE: AAFES(Europe) X: Australia

TM-702A: K,P,M,M2
TM-702E: E,E2

△ indicates safety critical components.

TM-702A/E

PARTS LIST

× New Parts

Parts without Parts No. are not supplied.

Les articles non mentionnés dans le Parts No. ne sont pas fournis.

Telle ohne Parts No. werden nicht geliefert.

TM-702A/E
TX-RX UNIT (X57-3680-XX),(X57-3682-XX)

Ref. No. 参照番号	Address 位置	New Parts 新	Parts No. 部品番号	Description 部品名 / 規格	Desti- nation 仕向	Re- marks 備考
R70			R92-0670-05	CHIP R 0 0HM		
R71			RK73FB2A103J	CHIP R 10K J 1/10W		
R72			R92-1215-05	CHIP R 470 J 1/2W		
R73			RK73FB2A103J	CHIP R 10K J 1/10W		
R74			RK73FB2A122J	CHIP R 1.2K J 1/10W		
R75 ,76			RK73FB2A101J	CHIP R 100 J 1/10W		
R77			RK73FB2A473J	CHIP R 47K J 1/10W		
R78			RK73FB2A471J	CHIP R 470 J 1/10W		
R79			RK73FB2A470J	CHIP R 47 J 1/10W		
R80			RK73FB2A471J	CHIP R 470 J 1/10W		
R81			RK73FB2A103J	CHIP R 10K J 1/10W		
R82 ,83			RK73FB2A222J	CHIP R 2.2K J 1/10W		
R84			RK73FB2A105J	CHIP R 1.0M J 1/10W		
R85			RK73FB2A471J	CHIP R 470 J 1/10W		
R86			RK73FB2A104J	CHIP R 100K J 1/10W		
R87			RK73FB2A470J	CHIP R 47 J 1/10W		
R88			RK73FB2A103J	CHIP R 10K J 1/10W		
R89			RK73FB2A562J	CHIP R 5.6K J 1/10W		
R90			RK73FB2A331J	CHIP R 330 J 1/10W		
R91			R92-1217-05	CHIP R 0		
R92			RK73FB2A223J	CHIP R 22K J 1/10W		
R93 ,94			RK73FB2A473J	CHIP R 47K J 1/10W		
R95			RK73FB2A103J	CHIP R 10K J 1/10W		
R96			RK73FB2A182J	CHIP R 1.8K J 1/10W		
R97			R92-0670-05	CHIP R 0 0HM		
R98			RK73FB2A223J	CHIP R 22K J 1/10W		
R99 ,100			RK73FB2A473J	CHIP R 47K J 1/10W		
R101			RK73FB2A103J	CHIP R 10K J 1/10W		
R102			RK73FB2A182J	CHIP R 1.8K J 1/10W		
R103			R92-0679-05	CHIP R 0 0HM		
R104			RK73FB2A102J	CHIP R 1.0K J 1/10W		
R105			R92-0685-05	CHIP R 22 J 1/2W		
R106			RK73FB2A102J	CHIP R 1.0K J 1/10W		
R107 ,108			RK73FB2A472J	CHIP R 4.7K J 1/10W		
R109			R92-0670-05	CHIP R 0 0HM		
R110			RK73FB2A273J	CHIP R 27K J 1/10W		
R111			RK73FB2A333J	CHIP R 33K J 1/10W		
R112-114			RK73FB2A223J	CHIP R 22K J 1/10W		
R115			RK73FB2A103J	CHIP R 10K J 1/10W		
R116			RK73FB2A471J	CHIP R 470 J 1/10W		
R117			RK73FB2A470J	CHIP R 47 J 1/10W		
R118 ,119			RK73FB2A473J	CHIP R 47K J 1/10W		
R120			RK73FB2A821J	CHIP R 820 J 1/10W		
R121			RK73FB2A5R6J	CHIP R 5.6 J 1/10W		
R122			RK73FB2A821J	CHIP R 820 J 1/10W		
R123			RK73FB2A473J	CHIP R 47K J 1/10W		
R124			RK73FB2A223J	CHIP R 22K J 1/10W		
R125			RK73FB2A471J	CHIP R 470 J 1/10W		
R126			RK73FB2A120J	CHIP R 12 2 A		
R127			RK73FB2A101J	CHIP R 100 J 1/10W		
R128			RK73FB2A222J	CHIP R 2.2K J 1/10W		
R129			R92-0670-05	CHIP R 0 0HM		MM2EE2
R129 ,130			RK73FB2A182J	CHIP R 1.8K J 1/10W		KP
R130			RK73FB2A102J	CHIP R 1.0K J 1/10W		MM2EE2
R131			RK73FB2A473J	CHIP R 47K J 1/10W		

E: Scandinavia & Europe K: USA P: Canada W: Europe

U: PX(Far East, Hawaii) T: England M: Other Areas

UE: AAFES(Europe) X: Australia

TM-702A: K,P,M,M2
TM-702E: E,E2

PARTS LIST

× New Parts

Parts without Parts No. are not supplied.

Les articles non mentionnés dans le Parts No. ne sont pas fournis.

Telle ohne Parts No. werden nicht geliefert.

TM-702A/E

TX-RX UNIT (X57-3680-XX),(X57-3682-XX)

Ref. No. 参照番号	Address 位置	New Parts 新	Parts No. 部品番号	Description 部品名 / 規格	Desti- nation 仕 向	Re- marks 備考
R132, 133			RK73FB2A103J	CHIP R 10K J 1/10W		
R134			RK73FB2A471J	CHIP R 470 J 1/10W		
R135			RK73FB2A334J	CHIP R 330K J 1/10W		
R137			RK73FB2A224J	CHIP R 220K J 1/10W		
R138			RK73FB2A473J	CHIP R 47K J 1/10W		
R139			RK73FB2A181J	CHIP R 180 J 1/10W		
R140, 141			R92-0670-05	CHIP R 0 OHM		
R142, 143			RK73FB2A101J	CHIP R 100 J 1/10W		
R145			RK73FB2A273J	CHIP R 27K J 1/10W		
R146, 147			RK73FB2A474J	CHIP R 470K J 1/10W		
R148			RK73FB2A101J	CHIP R 100 J 1/10W		
R201			RK73EB2B180J	CHIP R 18 J 1/8W		
R202			R92-0685-05	CHIP R 22 J 1/2W		
R203			R92-1259-05	FIXED RESISTOR		
R204			R92-1262-05	FIXED RESISTOR		
R205			RK73FB2A472J	CHIP R 4.7K J 1/10W		
R206			RK73EB2B220J	CHIP R 22 J 1/8W		
R207			RK73FB2A103J	CHIP R 10K J 1/10W		
R208			RK73FB2A471J	CHIP R 470 J 1/10W		
R209			RK73FB2A561J	CHIP R 560 J 1/10W		
R210			RK73FB2A563J	CHIP R 56K J 1/10W		
R211			RK73FB2A103J	CHIP R 10K J 1/10W		
R213			RK73FB2A472J	CHIP R 4.7K J 1/10W		
R214			RK73FB2A474J	CHIP R 470K J 1/10W		
R215			R92-0670-05	CHIP R 0 OHM		
R216, 217			RK73FB2A472J	CHIP R 4.7K J 1/10W		
R218			RK73FB2A105J	CHIP R 1.0M J 1/10W		
R219			R92-0670-05	CHIP R 0 OHM		
R222			RK73FB2A473J	CHIP R 47K J 1/10W		
R223-225			RK73FB2A473J	CHIP R 47K J 1/10W		
R226-229			RK73FB2A102J	CHIP R 1.0K J 1/10W		
R230			RK73FB2A473J	CHIP R 47K J 1/10W		
R231-234			RK73FB2A104J	CHIP R 100K J 1/10W		
R233			R92-0670-05	CHIP R 0 OHM		
R235			RK73FB2A474J	CHIP R 470K J 1/10W		
R236, 237			RK73FB2A102J	CHIP R 1.0K J 1/10W		
R238			RK73FB2A474J	CHIP R 470K J 1/10W		
R239			RK73FB2A473J	CHIP R 47K J 1/10W		
R240			R92-0670-05	CHIP R 0 OHM		
R241			RK73FB2A472J	CHIP R 4.7K J 1/10W		
R242			RK73FB2A104J	CHIP R 100K J 1/10W		
R243			RK73FB2A474J	CHIP R 470K J 1/10W		
R244			RK73FB2A102J	CHIP R 1.0K J 1/10W		
R245			RK73FB2A152J	CHIP R 1.5K J 1/10W		
R301			R92-1214-05	CHIP R 120 J 1/2W		
R302			RK73FB2A223J	CHIP R 22K J 1/10W		
R303			RK73FB2A220J	CHIP R 22 J 1/10W		
R304			RK73FB2A103J	CHIP R 10K J 1/10W		
R402, 403			R92-0670-05	CHIP R 0 OHM		
R404			R92-1214-05	CHIP R 120 J 1/2W		
R405			RK73FB2A103J	CHIP R 10K J 1/10W		
R406			RK73FB2A470J	CHIP R 47 J 1/10W		
R407			RK73FB2A103J	CHIP R 10K J 1/10W		
R408			R92-0679-05	CHIP R 0 OHM		
R409			RK73FB2A270J	CHIP R 27 J 1/10W		

E: Scandinavia & Europe K: USA P: Canada W: Europe

U: PX(Far East, Hawaii) T: England M: Other Areas

UE: AAFES(Europe) X: Australia

TM-702A: K,P,M,M2
TM-702E: E,E2

⚠ indicates safety critical components.

TM-702A/E

PARTS LIST

× New Parts

Parts without Parts No. are not supplied.

Les articles non mentionnés dans le Parts No. ne sont pas fournis.

Teile ohne Parts No. werden nicht geliefert.

TM-702A/E
TX-RX UNIT (X57-3680-XX),(X57-3682-XX)

Ref. No. 参照番号	Address 位置	New Parts 新	Parts No. 部品番号	Description 部品名 / 規格	Desti- nation 仕 向	Re- marks 備考
R410			R92-0150-05	JUMPER REST 0 0HM		
VR1			R12-6431-05	TRIM POT. 220K		
VR2 ,3			R12-6452-05	TRIMMING POT.100K		
VR4 ,5			R12-6427-05	TRIM POT. 47K		
VR7			R12-6452-05	TRIMMING POT.100K		
VR8			R12-6427-05	TRIM POT. 47K		
VR201			R05-3441-05	POTENTIOMETER10KA		
VR202			R05-4420-05	POTENTIOMETER50KB		
VR401			R12-6450-05	TRIMMING POT.47K		
VR402-404			R12-6427-05	TRIM POT. 47K		
S201			S40-2458-05	PUSH SWITCH		
S202-211			S40-1086-05	TAKT SWITCH		
D1 -4			1SV164	DIODE	KP MM2EE2	
D5			1SV164	DIODE		
D5			1SV166	DIODE		
D6			1SV166	DIODE		
D7			HSK277	DIODE		
D9 ,10			1SV128	DIODE		
D11			1SS268	DIODE		
D12 -14			1SS184	DIODE	KPME MM2EE2	
D15			1SV164	DIODE		
D202			02CZ9.1(Y)	ZENER DIODE		
D203			1SS184	DIODE		
D204			1SS181	DIODE		
D205			1SS184	DIODE		
D206			1SS184	DIODE		
D207			1SS184	DIODE		
D208			1SS184	DIODE		
D208			1SS184	DIODE		
D209			MA141A	DIODE	MM2 KP MM2 EE2	
D209			MA141A	DIODE		
D212			1SS226	DIODE		
D213			LFB01	DIODE		
D214			02CZ5.1(X)	ZENER DIODE	KP	
D215			02CZ3.0(Z)	ZENER DIODE		
D216			B30-0852-05	LED		
D301			DSA3A1	DIODE		
D302			MI407	DIODE		
D303			MI308	DIODE	KP	
D304			1SS101	DIODE		
D305			1SS184	DIODE		
D401			MI407	DIODE		
D402			MI308	DIODE		
D403			1SS101	DIODE		
D404			MA716	DIODE		
D405			1SS184	DIODE		
IC3			KCD04	H.IC		
IC4			TA7787AF	IC(FM/AM IF/3V)	KP	
IC5			KCC03	H.IC		
IC6			UPC78M08H	IC(VOLTAGE REGULATOR/ +8V)		
IC7			LA5010M	IC(LOW SATURATION REGULATOR)		
IC8			UPC1241H	IC		
IC9			KCB05	H.IC		
IC10			KCB06	H.IC		

E: Scandinavia & Europe K: USA P: Canada W: Europe

U: PX(Far East, Hawaii) T: England M: Other Areas

UE: AAFES(Europe) X: Australia

TM-702A: K,P,M,M2
TM-702E: E,E2

⚠ indicates safety critical component

PARTS LIST

× New Parts

Parts without Parts No. are not supplied.

Les articles non mentionnes dans le Parts No. ne sont pas fournis.

Telle ohne Parts No. werden nicht geliefert.

TM-702A/E

TX-RX UNIT (X57-3680-XX),(X57-3682-XX)

Ref. No. 参照番号	Address 位置	New Parts 新	Parts No. 部品番号	Description 部品名 / 規格	Desti- nation 仕向	Re- marks 備考
IC11			KCD04	H. IC		
IC12			BU4053BF	H. IC		
IC201		*	75116GF-667-3BE	IC(MICROPROCESSOR)		
IC202			NJM78L06UA	IC(VOLTAGE REGULATOR/ +6V)		
IC203			R90-0711-05	CHIP R NETWORK		
Q1			3SK184(S)	FET		
Q2			3SK131(V12)	FET		
Q3			DTC114EK	DIGITAL TRANSISTOR	KP	
Q4			DTC114EK	DIGITAL TRANSISTOR		
Q5			3SK184(S)	FET		
Q6			2SK582	FET		
Q7			3SK184(S)	FET		
Q8			DTC114EK	DIGITAL TRANSISTOR		
Q12			2SC2714(Y)	TRANSISTOR		
Q14			2SC2712(Y)	TRANSISTOR	KP	
Q15			DTC114EK	DIGITAL TRANSISTOR	KP	
Q16			2SK208(Y)	FET	KP	
Q17			2SC2712(Y)	TRANSISTOR		
Q18			2SB1302S	TRANSISTOR		
Q19			2SC2712(Y)	TRANSISTOR		
Q20 ,21			2SC2714(Y)	TRANSISTOR		
Q22			DTC114EK	DIGITAL TRANSISTOR		
Q23			2SK208(Y)	FET		
Q24			2SC2714(Y)	TRANSISTOR		
Q25			DTC114EK	DIGITAL TRANSISTOR		
Q26			2SC2712(Y)	TRANSISTOR		
Q27			DTC114EK	DIGITAL TRANSISTOR		
Q28			2SB1119S	TRANSISTOR		
Q29			2SC2712(Y)	TRANSISTOR		
Q30			DTC114EK	DIGITAL TRANSISTOR		
Q31			2SB1119S	TRANSISTOR		
Q32			DTC114EK	DIGITAL TRANSISTOR		
Q33			DTC114EK	DIGITAL TRANSISTOR		
Q34			2SA1162(Y)	TRANSISTOR		
Q35			2SC2712(Y)	TRANSISTOR		
Q36			2SA1307(Y)	TRANSISTOR		
Q37			2SD1757K	TRANSISTOR		
Q38			2SC2714(Y)	TRANSISTOR		
Q39 ,40			2SJ144(GR)	FET		
Q201-204			2SA1519	TRANSISTOR		
Q205			2SD1682(R,S)	TRANSISTOR		
Q206-208			2SC2712(Y)	TRANSISTOR		
Q209,210			DTC114EK	DIGITAL TRANSISTOR		
Q211			DTD143EK	DIGITAL TRANSISTOR		
Q212			DTC114EK	DIGITAL TRANSISTOR		
Q401			FMW1	TRANSISTOR		
TH2			112-202-2	DIGITAL THERMISTOR(2K)		
S212			W02-0388-05	ENCODER		
		*	X58-3480-01	SUB UNIT (430 PLL)		M1M2E1
			X58-3500-00	SUB UNIT (144 PLL)		E2
			X58-3500-00	SUB UNIT (144 PLL)		KP
			X58-3670-11	SUB UNIT (144 PLL)		
			X59-3610-00	MODULE UNIT (MIC AMP)		

E: Scandinavia & Europe K: USA P: Canada W: Europe

U: PX(Far East, Hawaii) T: England M: Other Areas

UE: AAFES(Europe) X: Australia

TM-702A: K,P,M,M2
TM-702E: E,E2

△ indicates safety critical components.

TM-702A/E

PARTS LIST

× New Parts

Parts without Parts No. are not supplied.

Les articles non mentionnés dans le Parts No. ne sont pas fournis.

Teile ohne Parts No. werden nicht geliefert.

TX-RX UNIT (X57-3680-XX),(X57-3682-XX)
430 PLL UNIT (X58-3480-01)

Ref. No. 参照番号	Address 位置	New Parts 新	Parts No. 部品番号	Description 部品名 / 規格	Desti- nation 仕 向	Re- marks 備考
			X59-3800-00	MODULE UNIT (ELE VOL)		
430 PLL UNIT (X58-3480-01)						
C1			CC73FCH1H120J	CHIP C 12PF J		
C2			CK73FB1H223K	CHIP C 0.022UF K		
C3			CC73FUJ1H220J	CHIP C 22PF J		
C4			CC73FCH1H150J	CHIP C 15PF J		
			CK73FB1H102K	CHIP C 1000PF K		
C5			CK73BB1H683K	CHIP C 0.068UF K		
C6 ,7			CK73FB1H223K	CHIP C 0.022UF K		
C8 ,9			C92-0007-05	CHIP TAN 2.2UF 20WV		
C10			C92-0002-05	CHIP TAN 0.22UF 35WV		
C11			CK73FB1H223K	CHIP C 0.022UF K		
C12			CC73FCH1H100D	CHIP C 10PF D		
C13			CK73FB1H223K	CHIP C 0.022UF K		
C14			CC73FCH1H040C	CHIP C 4PF C		
C15			CK73FB1H102K	CHIP C 1000PF K		
C16 ,17			CC73FSL1H101J	CHIP C 100PF J		
C101			CK73FB1H102K	CHIP C 1000PF K		
C102			CK73FB1H471K	CHIP C 470PF K		
C103			CC73FCH1H470J	CHIP C 47PF J		
C104			CC73FCH1H120J	CHIP C 12PF J		
C105			CC73FCH1H080D	CHIP C 8PF D		
C106,107			CC73FCH1HR75C	CHIP C 0.75PF C		
C108			CC73FCH1HOR5C	CHIP C 0.5PF C		
C109			CC73FCH1H090D	CHIP C 9PF D		
C110			CC73FCH1H080D	CHIP C 8PF D		
C111			CC73FCH1HOR5C	CHIP C 0.5PF C		
C112			CC73FCH1H040C	CHIP C 4PF C		
C113-115			CK73FB1H102K	CHIP C 1000PF K		
CN1			E40-5201-05	PIN CONNECTOR		
CN101			E40-0411-05	PIN CONNECTOR		
CN102			E40-0311-05	PIN CONNECTOR		
			F11-1122-14	SHIELDING COVER		
L1			L40-3972-80	SMALL FIXED INDUCTOR(39NH)		
L101,102			L40-8282-19	SMALL FIXED INDUCTOR(0.82UH)		
L103			L34-2333-05	COIL		
L104			L40-5682-19	SMALL FIXED INDUCTOR(0.56UH)		
L105			L40-3382-19	SMALL FIXED INDUCTOR(0.33UH)		
L106			L40-3972-80	SMALL FIXED INDUCTOR(39NH)		
R1 ,2			RK73FB2A473J	CHIP R 47K J 1/10W		
R3			RK73FB2A392J	CHIP R 3.9K J 1/10W		
R4			RK73FB2A332J	CHIP R 3.3K J 1/10W		
R5			RK73FB2A221J	CHIP R 220 J 1/10W		
R6			RK73FB2A222J	CHIP R 2.2K J 1/10W		
R7			RK73FB2A474J	CHIP R 470K J 1/10W		
R8			RK73FB2A682J	CHIP R 6.8K J 1/10W		
R9			RK73FB2A822J	CHIP R 8.2K J 1/10W		
R10 -13			RK73FB2A473J	CHIP R 47K J 1/10W		
R14			RK73FB2A331J	CHIP R 330 J 1/10W		
R15			RK73FB2A472J	CHIP R 4.7K J 1/10W		
R16			RK73FB2A222J	CHIP R 2.2K J 1/10W		
R18 ,19			RK73FB2A103J	CHIP R 10K J 1/10W		

E: Scandinavia & Europe K: USA P: Canada W: Europe

U: PX(Far East, Hawaii) T: England M: Other Areas

UE: AAFES(Europe) X: Australia

TM-702A: K,P,M,M2
TM-702E: E,E2

△ indicates safety critical components.

PARTS LIST

× New Parts

Parts without Parts No. are not supplied.

Les articles non mentionnés dans le Parts No. ne sont pas fournis.

Telle ohne Parts No. werden nicht geliefert.

430 PLL UNIT (X58-3480-01)

144 PLL UNIT (X58-3500-00)

Ref. No. 参照番号	Address 位置	New Parts 新	Parts No. 部品番号	Description 部品名 / 規格	Desti- nation 仕向	Re- marks 備考
R101			R92-0670-05	CHIP R 0 0HM		
R102			RK73FB2A102J	CHIP R 1.0K J 1/10W		
R103			RK73FB2A683J	CHIP R 68K J 1/10W		
R104			RK73FB2A470J	CHIP R 47 J 1/10W		
R105			RK73FB2A560J	CHIP R 56 J 1/10W		
R107			RK73FB2A470J	CHIP R 47 J 1/10W		
R108			RK73FB2A392J	CHIP R 3.9K J 1/10W		
R109			RK73FB2A103J	CHIP R 10K J 1/10W		
R110			RK73FB2A101J	CHIP R 100 J 1/10W		
R111			RK73FB2A103J	CHIP R 10K J 1/10W		
D1			1SS184	DIODE		
D101,102			1T33C			
D103			1SV164	DIODE		
LC1			M54959FP	IC(FREQ SYNTHESIZER PLL)		
Q1 -3			2SC3324(B)	TRANSISTOR		
Q4			DTC144EK	DIGITAL TRANSISTOR		
Q5			2SC2714(Y)	TRANSISTOR		
Q101			2SK582	FET		
Q102			2SC3120	TRANSISTOR		
Q103			2SC3324(G)	TRANSISTOR		
144 PLL UNIT (X58-3500-00) M, M2, E, E2						
C1			CK73FB1E223K	CHIP C 0.022UF K		
C2 ,3			CK73FB1H102K	CHIP C 1000PF K		
C4			CK73FB1E223K	CHIP C 0.022UF K		
C5			CK73FB1H471K	CHIP C 470PF K		
C6 ,7			C92-0507-05	CHIP TAN 4.7UF 6.3WV		
C8			C92-0003-05	CHIP TAN 0.47UF 25WV		
C9			CK73EB1E473K	CHIP C 0.047UF K		
C10			CC73FCH1H050C	CHIP C 5PF C		
C11 ,12			CK73FB1H102K	CHIP C 1000PF K		
C13 ,14			CK73FB1E223K	CHIP C 0.022UF K		
CN1			E40-5201-05	PIN CONNECTOR(7P)		
CN101			E40-0411-05	PIN CONNECTOR(4P)		
CN102			E40-0311-05	PIN CONNECTOR(3P)		
			F11-1122-14	SHIELDING COVER		
L1			L40-3391-19	SMALL FIXED INDUCTOR(3.3UH)		
L101,102			L40-4791-19	SMALL FIXED INDUCTOR(4.7UH)		
L103			L34-2331-05	COIL (RX)		
L104-106			L40-4791-19	SMALL FIXED INDUCTOR(4.7UH)		
L107			L34-2332-05	COIL (TX)		
L108			L40-4791-19	SMALL FIXED INDUCTOR(4.7UH)		
R1 -5			RK73GB1J473J	CHIP R 47K J 1/16W		
R6			RK73GB1J152J	CHIP R 1.5K J 1/16W		
R7			RK73GB1J222J	CHIP R 2.2K J 1/16W		
R8			RK73GB1J392J	CHIP R 3.9K J 1/16W		
R9			RK73GB1J222J	CHIP R 2.2K J 1/16W		
R10 ,11			RK73GB1J103J	CHIP R 10K J 1/16W		
R13			RK73GB1J472J	CHIP R 4.7K J 1/16W		
R14			RK73GB1J473J	CHIP R 47K J 1/16W		
R15			RK73GB1J223J	CHIP R 22K J 1/16W		
R16			RK73GB1J103J	CHIP R 10K J 1/16W		
R17			RK73GB1J221J	CHIP R 220 J 1/16W		
R101			RK73GB1J101J	CHIP R 100 J 1/16W		

E: Scandinavia & Europe K: USA P: Canada W: Europe

U: PX(Far East, Hawaii) T: England M: Other Areas

UE: AAFES(Europe) X: Australia

TM-702A: K,P,M,M2
TM-702E: E,E2

△ indicates safety critical components.

TM-702A/E

PARTS LIST

* New Parts

Parts without Parts No. are not supplied.

Les articles non mentionnes dans le Parts No. ne sont pas fournis.

Telle ohne Parts No. werden nicht geliefert.

144 PLL UNIT (X58-3500-00)

144 PLL UNIT (X58-3670-11)

Ref. No. 参照番号	Address 位置	New Parts 新	Parts No. 部品番号	Description 部品名 / 規格	Desti- nation 仕 向	Re- marks 備考
R102			RK73GB1J470J	CHIP R 47 J 1/16W		
R103			RK73GB1J101J	CHIP R 100 J 1/16W		
R104			RK73GB1J222J	CHIP R 2.2K J 1/16W		
R105			RK73GB1J472J	CHIP R 4.7K J 1/16W		
R106			RK73GB1J471J	CHIP R 470 J 1/16W		
R107			RK73GB1J101J	CHIP R 100 J 1/16W		
R108			RK73GB1J470J	CHIP R 47 J 1/16W		
R109			RK73GB1J682J	CHIP R 6.8K J 1/16W		
R110			RK73GB1J470J	CHIP R 47 J 1/16W		
R111			RK73GB1J101J	CHIP R 100 J 1/16W		
R112			RK73GB1J222J	CHIP R 2.2K J 1/16W		
R113			RK73GB1J472J	CHIP R 4.7K J 1/16W		
R114			RK73GB1J471J	CHIP R 470 J 1/16W		
C101			CK73GB1E103K	CHIP C		
C102			CC73GCH1H010C	CHIP C		
C103, 104			CK73GB1E103K	CHIP C		
C105			CC73GCH1H010C	CHIP C		
C106			CC73GCH1H220J	CHIP C		
C107, 108			CK73GB1H102K	CHIP C		
C109, 110			CK73GB1E103K	CHIP C		
C111			CC73GCH1H020C	CHIP C		
C112, 113			CK73GB1E103K	CHIP C		
C114			CC73GCH1H010C	CHIP C		
C115			CC73GCH1H220J	CHIP C		
C116			CK73GB1H102K	CHIP C		
D101-104			1SV166	DIODE		
IC1			M54959FP	IC(FREQ SYNTHESIZER PLL)		
Q1 ,2			2SC3324(B)	TRANSISTOR		
Q3			2SC2712(Y)	TRANSISTOR		
Q4			2SC2714(Y)	TRANSISTOR		
Q101			2SK508NV(K52)	FET		
Q102			DTC114EK	DIGITAL TRANSISTOR		
Q103			2SC3120	TRANSISTOR		
Q104			2SK508NV(K52)	FET		
Q105			DTC114EK	DIGITAL TRANSISTOR		
Q106			2SC3120	TRANSISTOR		
144 PLL UNIT (X58-3670-11) K,P						
C1			CK73FB1E223K	CHIP C 0.022UF K		
C2 ,3			CK73FB1H102K	CHIP C 1000PF K		
C4			CK73FB1E223K	CHIP C 0.022UF K		
C5			CK73FB1H471K	CHIP C 470PF K		
C6 ,7			C92-0S07-05	CHIP TAN 4.7UF 6.3WV		
C8			C92-0003-05	CHIP TAN 0.47UF 25WV		
C9			CC73FB1E223K	CHIP C 0.022UF K		
C10			CK73FCH1H050C	CHIP C 5.0PF C		
C11 ,12			CK73FB1H102K	CHIP C 1000PF K		
C13 ,14			CK73FB1E223K	CHIP C 0.022UF K		
C101			CK73GB1E103K	CHIP C 0.010UF K		
C102			CC73GCH1H010C	CHIP C 1PF C		
C103, 104			CK73GB1E103K	CHIP C 0.010UF K		
C105			CC73GCH1H010C	CHIP C 1PF C		
C106			CC73GCH1H220J	CHIP C 22PF J		
C107, 108			CK73GB1H102K	CHIP C 1000PF K		
C109, 110			CK73GB1E103K	CHIP C 0.010UF K		

E: Scandinavia & Europe K: USA P: Canada W: Europe

U: PX(Far East, Hawaii) T: England M: Other Areas

IE: AAFES(Europe) X: Australia

TM-702A: K,P,M,M2
TM-702E: E,E2

PARTS LIST

* New Parts

Parts without Parts No. are not supplied.

Les articles non mentionnés dans le Parts No. ne sont pas fournis.

Teile ohne Parts No. werden nicht geliefert.

144 PLL UNIT (X58-3670-11)

MIC AMP UNIT (X59-3610-00)


Ref. No. 参照番号	Address 位置	New Parts 新	Parts No. 部品番号	Description 部品名 / 規格	Desti- nation 仕 向	Re- marks 備考
C111			CC73GCH1H020C	CHIP C 2.0PF C		
C112, 113			CK73GB1E103K	CHIP C 0.010UF K		
C114			CC73GCH1H010C	CHIP C 1PF C		
C115			CC73GCH1H220J	CHIP C 22PF J		
C116			CK73GB1H102K	CHIP C 1000PF K		
CN1			E40-5201-05	PIN CONNECTOR(7P)		
CN101			E40-0411-05	PIN CONNECTOR(4P)		
CN102			E40-0311-05	PIN CONNECTOR(3P)		
			F11-1122-14	SHIELDING COVER	KP	
L1			L40-3391-19	SMALL FIXED INDUCTOR(3.3UH)		
L101, 102			L40-3391-19	SMALL FIXED INDUCTOR(3.3UH)		
L103			L34-2331-05	COIL		
L104-106			L40-4791-19	SMALL FIXED INDUCTOR(4.7UH)		
L107			L34-2332-05	COIL		
L108			L40-4791-19	SMALL FIXED INDUCTOR(4.7UH)		
R1 -5			RK73FB2A473J	CHIP R 47K J 1/10W		
R6			RK73FB2A152J	CHIP R 1.5K J 1/10W		
R7			RK73FB2A222J	CHIP R 2.2K J 1/10W		
R8			RK73FB2A392J	CHIP R 3.9K J 1/10W		
R9			RK73FB2A222J	CHIP R 2.2K J 1/10W		
R10 -12			RK73FB2A103J	CHIP R 10K J 1/10W		
R13			RK73FB2A221J	CHIP R 220 J 1/10W		
R14			RK73FB2A223J	CHIP R 22K J 1/10W		
R15			R92-0670-05	CHIP R 0 OHM		
R101			RK73GB1J101J	CHIP R 100 J 1/16W		
R102			RK73GB1J470J	CHIP R 47 J 1/16W		
R103			RK73GB1J101J	CHIP R 100 J 1/16W		
R104			RK73GB1J222J	CHIP R 2.2K J 1/16W		
R105			RK73GB1J472J	CHIP R 4.7K J 1/16W		
R106			RK73GB1J471J	CHIP R 470 J 1/16W		
R107			RK73GB1J101J	CHIP R 100 J 1/16W		
R108			RK73GB1J470J	CHIP R 47 J 1/16W		
R109			RK73GB1J682J	CHIP R 6.8K J 1/16W		
R110			RK73GB1J470J	CHIP R 47 J 1/16W		
R111			RK73GB1J101J	CHIP R 100 J 1/16W		
R112			RK73GB1J222J	CHIP R 2.2K J 1/16W		
R113			RK73GB1J472J	CHIP R 4.7K J 1/16W		
R114			RK73GB1J471J	CHIP R 470 J 1/16W		
D101, 102			1T33C	DIODE		
D103, 104			1SV166	DIODE		
IC1			MS4959FP	IC(FREQ SYNTHESIZER PLL)		
Q1 ,2			2SC3324(B)	TRANSISTOR		
Q3			DTC144EK	DIGITAL TRANSISTOR		
Q4			2SC2714(Y)	TRANSISTOR		
Q101			2SK508NV(K52)	FET		
Q102			DTC114EK	DIGITAL TRANSISTOR		
Q103			2SC3120	TRANSISTOR		
Q104			2SK508NV(K52)	FET		
Q105			DTC114EK	DIGITAL TRANSISTOR		
Q106			2SC3120	TRANSISTOR		
MIC AMP UNIT (X59-3610-00)						
C1			CK73FF1E104Z	CHIP C 0.1UF Z		

E: Scandinavia & Europe K: USA P: Canada W: Europe

U: PX(Far East, Hawaii) T: England M: Other Areas

UE: AAFES(Europe) X: Australia

TM-702A: K, P, M, M2
TM-702E: E, E2

 indicates safety critical components.

TM-702A/E

PARTS LIST

× New Parts

Parts without Parts No. are not supplied.

Les articles non mentionnés dans le Parts No. ne sont pas fournis.

Telle ohne Parts No. werden nicht geliefert.

MIC AMP UNIT (X59-3610-00)

ELE VOL UNIT (X59-3800-00)

Ref. No. 参照番号	Address 位置	New Parts 新	Parts No. 部品番号	Description 部品名 / 規格	Desti- nation 仕 向	Re- marks 備考
C2			CK73GB1H102K	CHIP C 1000PF K		
C3			CK73FB1E333K	CHIP C 0.033UF K		
C4			CC73GCH1H270J	CHIP C 27PF J		
C5			C92-0004-05	CHIP TAN 1.0UF 16WV		
C6			CK73FB1E333K	CHIP C 0.033UF K		
C7			CK73GB1H681K	CHIP C 680PF K		
C8			CK73GB1H332K	CHIP C 3300PF K		
C9			CC73GCH1H820J	CHIP C 82PF J		
C10			CC73GCH1H101J	CHIP C 100PF J		
C11			CK73GB1H102K	CHIP C 1000PF K		
			E23-0471-05	TERMINAL		
R1			RK73GB1J223J	CHIP R 22K J 1/16W		
R2			RK73GB1J104J	CHIP R 100K J 1/16W		
R3			RK73GB1J561J	CHIP R 560 J 1/16W		
R4			RK73GB1J470J	CHIP R 47 J 1/16W		
R5			RK73GB1J561J	CHIP R 560 J 1/16W		
R6			R92-1252-05	CHIP R 0 ΩHM		
R7			RK73GB1J394J	CHIP R 390K J 1/16W		
R8			RK73GB1J224J	CHIP R 220K J 1/16W		
R9			RK73GB1J184J	CHIP R 180K J 1/16W		
R10			RK73GB1J333J	CHIP R 33K J 1/16W		
R11			RK73GB1J473J	CHIP R 47K J 1/16W		
R12			RK73GB1J224J	CHIP R 220K J 1/16W		
R13 -15			RK73GB1J823J	CHIP R 82K J 1/16W		
R16			R92-1252-05	CHIP R 0 ΩHM		
IC1			NJM4558M	IC(OP AMP X2)		
Q1			2SC4116(GR)	TRANSISTOR		
ELE VOL UNIT (X59-3800-00)						
C1			CK73FB1E104K	CHIP C 0.10UF K		
C2			C92-0004-05	CHIP TAN 1.0UF 16WV		
C3			CK73FB1H103K	CHIP C 0.010UF K		
C4			C92-0005-05	CHIP TAN 2.2UF 6.3WV		
C5 ,6			CK73FB1E104K	CHIP C 0.10UF K		
C7 ,8			C92-0507-05	CHIP TAN 4.7UF 6.3WV		
C9 ,10			CC73FSL1H101J	CHIP C 100PF J		
C11			CK73EF1C105Z	CHIP C 1.0UF Z		
C12			C92-0005-05	CHIP TAN 2.2UF 6.3WV		
			E23-0471-05	TERMINAL		
R1 ,2			RK73FB2A102J	CHIP R 1.0K J 1/10W		
R3			RK73FB2A223J	CHIP R 22K J 1/10W		
R4			RK73FB2A103J	CHIP R 10K J 1/10W		
R5			RK73FB2A223J	CHIP R 22K J 1/10W		
R6			RK73FB2A103J	CHIP R 10K J 1/10W		
R7 -10			RK73FB2A474J	CHIP R 470K J 1/10W		
R11 ,12			RK73FB2A104J	CHIP R 100K J 1/10W		
R13			RK73FB2A822J	CHIP R 8.2K J 1/10W		
R14			RK73FB2A392J	CHIP R 3.9K J 1/10W		
R15			RK73FB2A222J	CHIP R 2.2K J 1/10W		
R16			RK73FB2A102J	CHIP R 1.0K J 1/10W		
R17 ,18			RK73FB2A223J	CHIP R 22K J 1/10W		
R19 ,20			RK73FB2A472J	CHIP R 4.7K J 1/10W		
IC1			NJM4558M	IC(OP AMP X2)		

E: Scandinavia & Europe K: USA P: Canada W: Europe

U: PX(Far East, Hawaii) T: England M: Other Areas

UE: AAFES(Europe) X: Australia

TM-702A: K, P, M, M2
TM-702E: E, E2

⚠ indicates safety critical components

PARTS LIST

× New Parts

Parts without Parts No. are not supplied.

Les articles non mentionnés dans le Parts No. ne sont pas fournis.

Telle ohne Parts No. werden nicht geliefert.

ELE VOL UNIT (X59-3800-00)


Ref. No. 参照番号	Address 位置	New Parts 新	Parts No. 部品番号	Description 部品名 / 規格	Desti- nation 仕向	Re- marks 備考
IC2			BU4053BF	IC		
IC3			LC7532M	IC(BILATERAL SWITCH)		
IC4 ,5			BU4094BF	IC		
IC6			BU4053BF	IC		
Q1 -4			DTC143EK	DIGITAL TRANSISTOR		
Q5 ,6			2SD1757K	TRANSISTOR		

E: Scandinavia & Europe K: USA P: Canada W: Europe

U: PX(Far East, Hawaii) T: England M: Other Areas

UE: AAFES(Europe) X: Australia

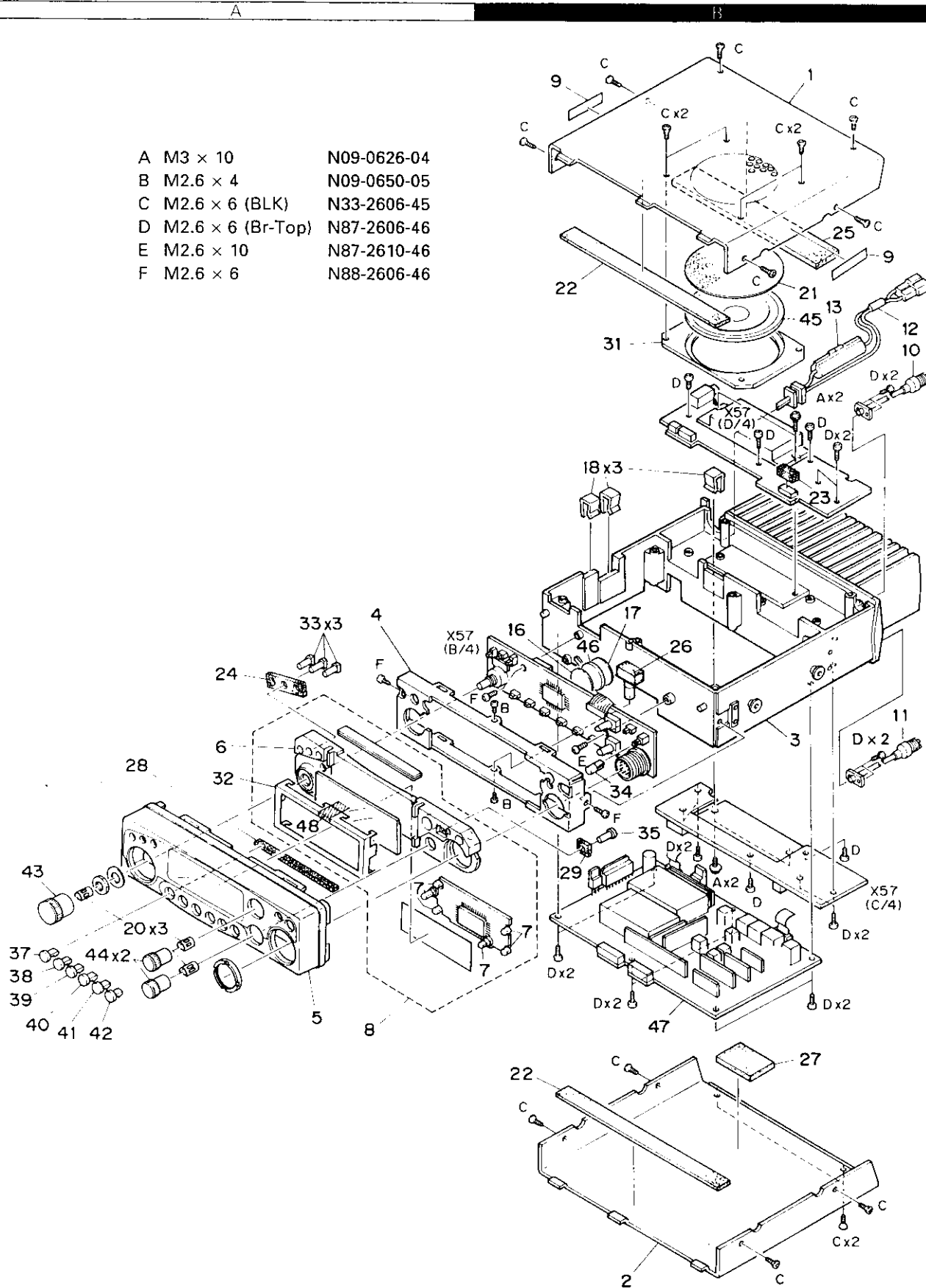
TM-702A: K,P,M,M2
TM-702A: E,E2

 indicates safety critical components.

M-702A/E

EXPLODED VIEW

A	M3 × 10	N09-0626-04
B	M2.6 × 4	N09-0650-05
C	M2.6 × 6 (BLK)	N33-2606-45
D	M2.6 × 6 (Br-Top)	N87-2606-46
E	M2.6 × 10	N87-2610-46
F	M2.6 × 6	N88-2606-46



Parts with the explode numbers larger that 700 are not supplied.

TM-702A/E

ADJUSTMENT

REQUIRED TEST EQUIPMENT

1. **DC V.M and Tester**
 - 1) High input impedance
2. **RF VTVM (RF V.M)**
 - 1) Input impedance : 1MΩ min., 2pF max.
 - 2) Voltage range : F.S = 10mV to 300V
 - 3) Frequency range : Up to 450MHz
3. **Frequency Counter (f. counter)**
 - 1) Input sensitivity : Approx, 50mV
 - 2) Frequency range : Up to 450MHz
4. **DC Power Supply**
 - 1) Voltage : 10V to 17V, variable
 - 2) Current : 8A min.
5. **Power Meter**
 - 1) Measurement range : Approx, 30W, 3W, 1W
 - 2) Input impedance : 50Ω
 - 3) Frequency range : 450MHz
6. **AF VTVM (AF V.M)**
 - 1) Input impedance : 1MΩ min.
 - 2) Voltage range : F.S = 1mV to 30V
 - 3) Frequency range : 50Hz to 10kHz
7. **AF Generator (AG)**
 - 1) Output frequency : 100Hz to 10kHz
 - 2) Output voltage : 0.5mV to 1V
8. **Linear Detector**
 - 1) Frequency range : 450MHz
9. **Spectrum Analyzer**
 - 1) Frequency range : 450MHz
10. **Directional Coupler**
11. **Oscilloscope**
 - 1) High sensitivity oscilloscope with horizontal input terminal
12. **SSG**
 - 1) Frequency range : 144MHz band
 - 2) Modulation: AM and FM MOD.
 - 3) Output level : -20dBμ ~ 100dBμ
13. **Dummy Load**
 - 1) 8Ω, 5W (approx.)
14. **Noise Generator**
 - 1) Must generate ignition-like noise containing harmonics beyond 450MHz.

15. Sweep Generator

- 1) Sweep range : 144MHz bands

16. Tracking Generator

PREPARATION

- 1) Unless otherwise specified, knobs and switches should be set as follows **Table 7**.

POWER SW	ON	CALL SW	OFF
AF VOL VR	MIN	SHIFT/DTSS	OFF
SQL VOL VR	MIN	ONE/T,ALT	OFF
LOW SW	OFF	REV/STEP	OFF
VFO, MR/M	VFO	BAND/DUP	OFF

Table 7

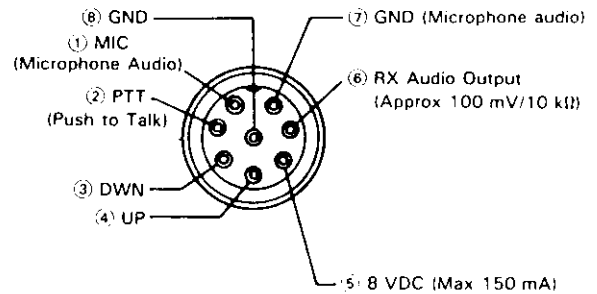


Fig. 17 MIC terminals (view from front panel side)

- 2) Use an insulated adjusting rod to adjust trimmer and coils.
- 3) To prevent damaging SSG, never set the stand by switch to SEND while adjusting the receiver section.
- 4) Be sure to turn the power switch OFF, before connecting the power cable to a power source.
- 5) Meter and display section should be set as follows **Fig. 18**.

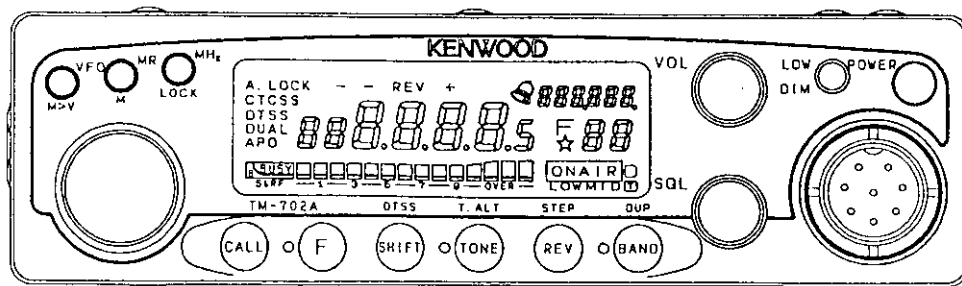


Fig. 18

ADJUSTMENT

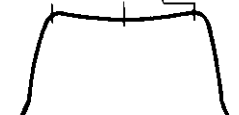
COMMON SECTION ADJUSTMENT

Item	Condition	Measurement			Adjustment			Specifications/Remarks
		Test-equipment	Unit	Terminal	Unit	Parts	Method	
1. Setting	1) Source voltage: DC 13.8V POWER SW: OFF VOL SW: OFF SQL VR: MAX							
2. Reset	1) Turn POWER SW ON while holding down MR/M.							Display 144.000 Display 430.000 M. M2. E. E2 Display 440.000 K. P

PLL SECTION ADJUSTMENT

Item	Condition	Measurement			Adjustment			Specifications/Remarks
		Test-equipment	Unit	Terminal	Unit	Parts	Method	
1.VCO voltage	1) FREQ. : 144.975 E. E2 FREQ. : 146.000 K. M. M2. P Receive	DC V.M	TX-RX	TP5			Check	2.5V or more.
	2) Transmit	Power meter	Rear panel	ANT1 (144M)				4.5 ~ 6.5V "ON AIR" light on.
	3) FREQ. : 435.000 M. M2. E. E2 FREQ. : 445.000 K. P Receive		TX-RX	TP4				2.5V or more.
	4) Transmit		Rear panel	ANT2 (430M)				6.0V "ON AIR" light on.

RECEIVER SECTION ADJUSTMENT

Item	Condition	Measurement			Adjustment			Specifications/Remarks
		Test-equipment	Unit	Terminal	Unit	Parts	Method	
1. Helical (430 MHz)	1) FREQ. : 435.050 M. M2. E. E2 FREQ. : 445.050 K. P Connect the tracking generator to ANT2. Connect the spectrum analyzer to TP1.	Tracking generator Spectrum analyzer	Rear panel TX-RX	ANT2 (430M) TP1	TX-RX	TC1, 2 L8, 9	Check whether required band obtained at max. gain.	440 445 450 (K.P) 430 435 440 (M.M2.E.E2) 
2-1. GAIN (144MHz)	1) FREQ. : 145.050 E. E2 FREQ. : 146.050 K. P. M. M2 SSG output: 0.5µV (-113dBm) SSG MOD: 1kHz SSG DEV : 3kHz	SSG DC V.M	Rear panel TX-RX	ANT1 (144M) TP2	TX-RX	L1-5	MAX.	
2-2. GAIN (430 MHz)	1) FREQ. : 435.050 M. M2. E. E2 FREQ. : 445.050 K. P SSG output: 0.5µV (-113dBm) SSG MOD: 1kHz SSG DEV : 3kHz	SSG DC V.M	Rear panel TX-RX	ANT2 (430M) TP2		L12		8:00 ~ 11:00 0.6A or less.
3. Squelch	1) SQL VR : Threshold point	AF V.M	Rear panel	SP	Front panel	SQL VR	Turn the SQL VR clockwise to the point at which squelch just close.	
	2) Tight squelch FREQ. : 435.050 M. M2. E. E2 FREQ. : 445.050 K. P SSG output: 0.22µV (-120dBm) SSG MOD: 1kHz SSG DEV : 3kHz SQL VR : MAX	SSG AF V.M SP	Rear panel Front	ANT2 (430M) EXT.SP	TX-RX		VR1 (CCW)	Set to the point at which squelch just open.
4. SUB BAND squelch [DUAL]	1) FREQ. : 145.050 E. E2 FREQ. : 146.050 M. M2. K. P SQL VR : MAX SSG output: 0.1µV (-127dBm) SSG MOD: 1kHz SSG DEV : 3kHz	SSG AF V.M SP	Rear panel	SP	TX-RX	VR8	Set to the point at which SUB squelch just open.	
	2) SSG output:0.08µV (-129dBm)							SUB squelch close

TM-702A/E


ADJUSTMENT

Item	Condition	Measurement			Adjustment			Specifications/Remarks
		Test-equipment	Unit	Terminal	Unit	Parts	Method	
5-1 S-meter (144MHz)	1) FREQ. : 146.050 M. M2. E. E2 FREQ. : 145.050 K. P SSG output: 4 μ V (-95dBm) SSG MOD: 1kHz SSG DEV : 3kHz	SSG S-meter	Rear panel Front panel	ANT1 (144M)	TX-RX	VR7	Last S-meter segment off.	
	2) SSG output: OFF	S-meter	Front panel				Check	S-meter off.
5-2 S-meter (430MHz)	1) FREQ. : 435.050 M. M2. E. E2 FREQ. : 445.050 K. P SSG output: 4 μ V (-95dBm) SSG MOD: 1kHz SSG DEV : 3kHz	SSG S-meter	Rear panel Front panel	ANT2 (430M)	TX-RX	VR2 (CCW)	Last S-meter segment off.	
	2) SSG output: OFF	S-meter	Front panel				Check	S-meter off.
6-1 Receiving sensitivity (144MHz)	145.050 MHz E. E2 146.040 MHz K. M. M2. P SSG 0.18 μ V (-122dBm)	SSG Oscilloscope Millivoltmeter Distortion meter	Rear panel	EXT-SP			Check	SNAD 12dB or more
	Adjust the band edge in the same way. FREQ. 144.050 MHz — (W) E. E2 FREQ. 145.950 MHz — (W) E. E2 FREQ. 144.040 MHz — K. M. P. FREQ. 147.950 MHz — M2							
6-2 Sensitivity (430MHz)	FREQ. 435.050 MHz M. M2. E. E2 FREQ. 445.050 MHz K. P SSG 0.18 μ V (-122dBm)							
	Set the band edge in the same way. FREQ. 430.050 MHz — M. W 439.950 MHz — M. W 438.050 MHz — K. P 449.950 MHz — K. P							
7-1 Signal-to-noise (S/N) ratio with high-level signal	145.050 MHz E. E2 146.040 MHz K. M. P. M2 SSG 501 μ V (-53dBm) AF 0.63 V/8W	SSG Oscilloscope Millivoltmeter Distortion meter	Rear panel	EXT. SP			Check	S/N ratio of 46 dB or better
7-2 Signal-to-noise (S/N) ratio with high-level signal	FREQ. 435.050 MHz E. E2 445.050 MHz K. M. P. M2 SSG 501 μ V (-53dBm) AF 0.63 V/8 Ω							

COMMON TRANSMITTER SECTION ADJUSTMENT

Item	Condition	Measurement			Adjustment			Specifications/Remarks
		Test-equipment	Unit	Terminal	Unit	Parts	Method	
1. Transmit frequency	1) FREQ. 435.000 M. M2. E. E2 FREQ. 445.000 K. P Transmit	f.counter Power meter	Rear panel	ANT2 (430M)	TX-RX	TC3	435.000.0 MHz M, M2, E, E2 445.000.0 MHz K, P	\pm 100Hz


144MHz TRANSMITTER SECTION ADJUSTMENT

Item	Condition	Measurement			Adjustment			Specifications/Remarks	
		Test-equipment	Unit	Terminal	Unit	Parts	Method		
1. Power	1) HI POWER FREQ. : 144.975 E. E2 FREQ. : 146.000 K. M. M2. P HI/LOW SW : HI Transmit	Power meter Ammeter	Rear panel	ANT1 (144M)	430 FINAL	VR402 (CCW)	MAX	30W or more.	
	2) APC Transmit.						VR402	28W	\pm 4W 8A or less.
	3) MID POWER HI/LOW SW : MID Transmit						VR5	10W Read RF meter	8~12W 10RF meter on.
	4) LOW POWER HI/LOW SW : LOW Transmit							Check Read RF meter	1.5~2.9W 6 RF meter on.
2. Protection (Current)	1) FREQ. : 144.975 E. E2 FREQ. : 146.000 K. M. M2. P ANT : Short 430 final unit VR404 : ϕ Transmit	Ammeter (REAR SIDE)  (FRONT SIDE)	VR404		430 FINAL	VR404 (CCW) VR4	4A	\pm 0.2A	

ADJUSTMENT

Item	Condition	Measurement			Adjustment			Specifications/Remarks
		Test-equipment	Unit	Terminal	Unit	Parts	Method	
3. DEV	1) FREQ. : 145.100 E. E2 FREQ. : 146.100 K. M. M2. P AG : 1kHz, 28mV E. E2 AG : 1kHz, 50mV K. M. M2. P HI/LOW SW : LOW Transmit	Linear detector Oscilloscope Power meter	Rear panel	ANT1 (144M)	TX-RX	VR-4	±4.6kHz	±200Hz Check for detected waveform. • Linear detector LPF: 20KHz HPF: 50Hz De-emphasis: OFF
	Check						±2.4 ~ 3.6kHz • Linear detector LPF: 3KHz HPF: 50Hz De-emphasis: 750µsec	
4. TONE	1) FREQ. : 145.250 E. E2 FREQ. : 145.260 K. M. M2. P HI/LOW SW : LOW Transmit						Check	DEV: ±0.5 ~ 1.2kHz • Linear detector LPF: 3kHz HPF: 50kHz De-emphasis: 750µsec
5. TONE E. E2 (1750Hz)	1) FREQ. : 144.975 HI/LOW SW : LOW Transmit.						MIC TONE SW: ON	DEV: ±2.5kHz or more.

430MHz TRANSMITTER SECTION ADJUSTMENT

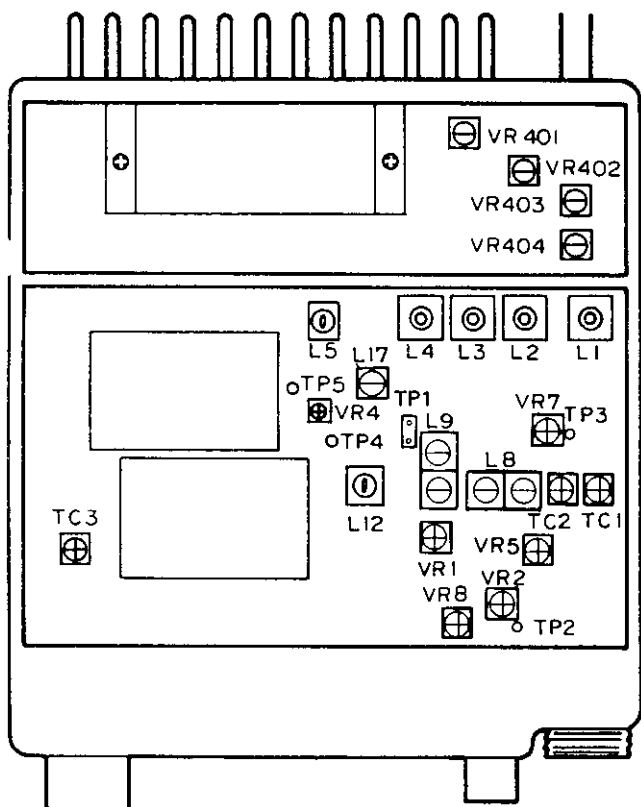
Item	Condition	Measurement			Adjustment			Specifications/Remarks	
		Test-equipment	Unit	Terminal	Unit	Parts	Method		
1. Power	1) HI POWER FREQ. : 435.000 M. M2. E. E2 FREQ. : 445.000 K. P HI/LOW SW : HI Transmit	Power meter Ammeter	Rear panel	ANT2 (430M)	430 FINAL	VR401 (CCW)	MAX Read RF meter	30W or more. All RF meter on. "ON AIR" light on.	
	VR401					28W	±4W or less 8A or less.		
	3) MID POWER HI/LOW SW : MID Transmit					TX-RX	VR5	10W Read RF meter	±0.2A 10RF meter on.
	4) LOW POWER HI/LOW SW : LOW Transmit							Check	1.5-2.9W
2. Protection (Current)	1) FREQ. : 435.000 M. M2. E. E2 FREQ. : 445.000 K. P ANT : Short 430 final unit VR403 : ◊ Transmit	Ammeter (REAR SIDE)  VR404 (FRONT SIDE)			430 FINAL	VR403 (CCW)	3.0A	±0.2A	
3. DEV	1) FREQ. : 434.960 M. M2. T. W FREQ. : 444.960 K AG : 1kHz, 28mV E. E2 AG : 1kHz, 50mV K. P. M. M2 HI/LOW SW : LOW Transmit	Linear detector Oscilloscope Power meter	Rear panel	NAT2 (430M)	TX-RX	VR3	±4.6kHz	±200Hz Check for detected waveform. • Linear detector LPF: 20KHz HPF: 50Hz De-emphasis: OFF	
	2) MIC GAIN AG : 1kHz, 2.8mV E. E2 AG : 1kHz, 5.0mV K. P. M. M2						Check		±2.4 ~ 3.6kHz
4. TONE	1) FREQ. : 435.250 M. M2. E. E2 FREQ. : 445.250 K. P HI/LOW SW : LOW Transmit						Check	DEV: ±0.5 ~ 1kHz • Linear detector LPF: 3Hz HPF: 50kHz De-emphasis: 750µsec	
5. TONE E. E2 type (1750Hz)	1) FREQ. : 435.000 HI/LOW SW : LOW Transmit.						MIC TONE SW: ON	DEV: ±2.5kHz or more.	
6. DTMF K type	1) FREQ. : 445.100 MIC A and B key : Push at the same time. Transmit.						Check	DEV: 2.8~ 4.5kHz	

TM-702A/E

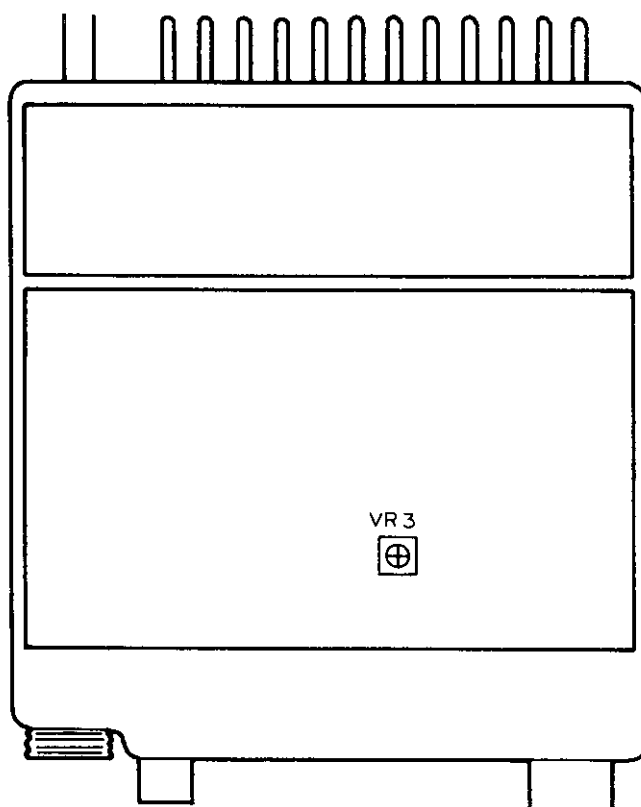
ADJUSTMENT

Adjustment point layout

Top of set



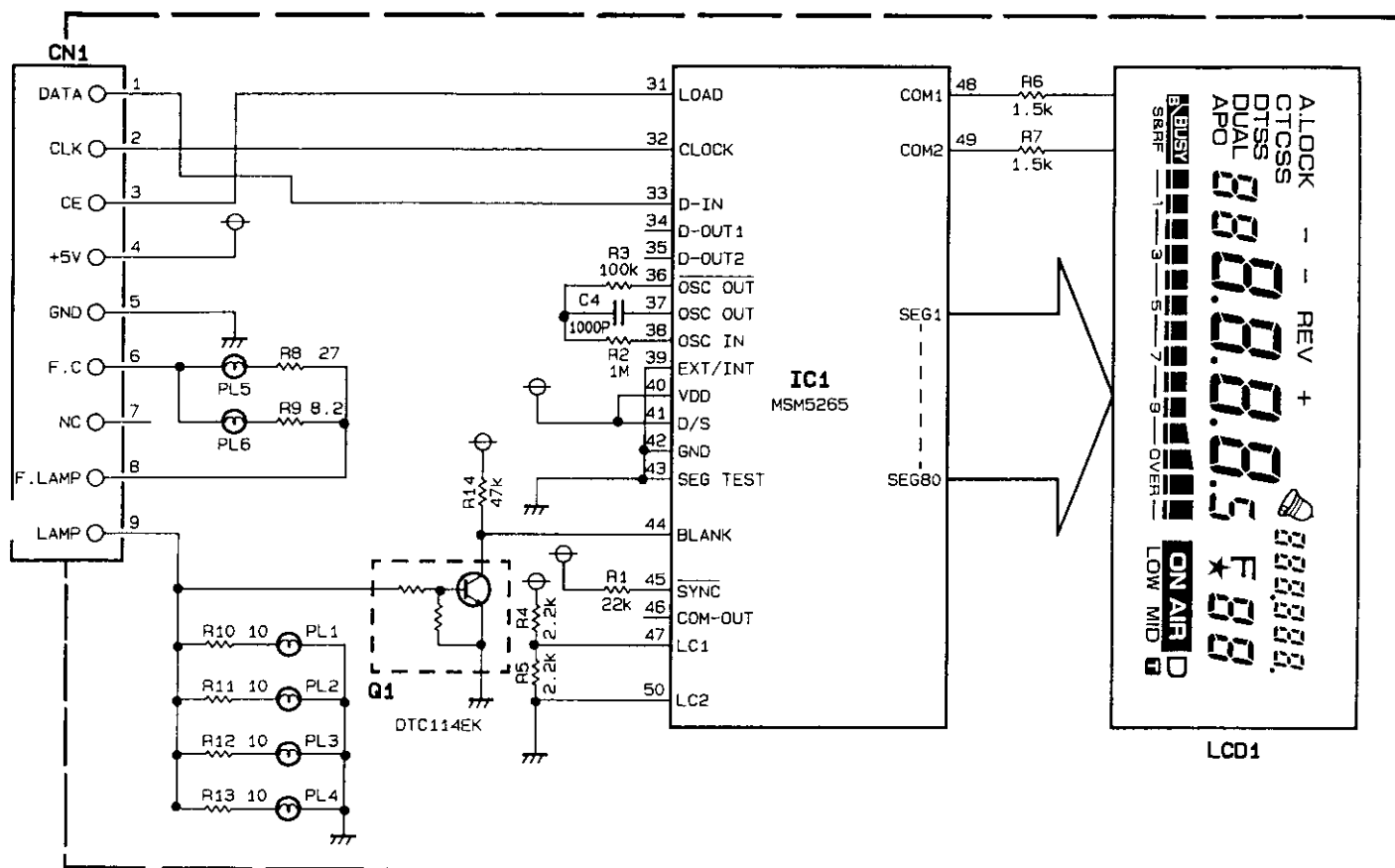
Bottom of set



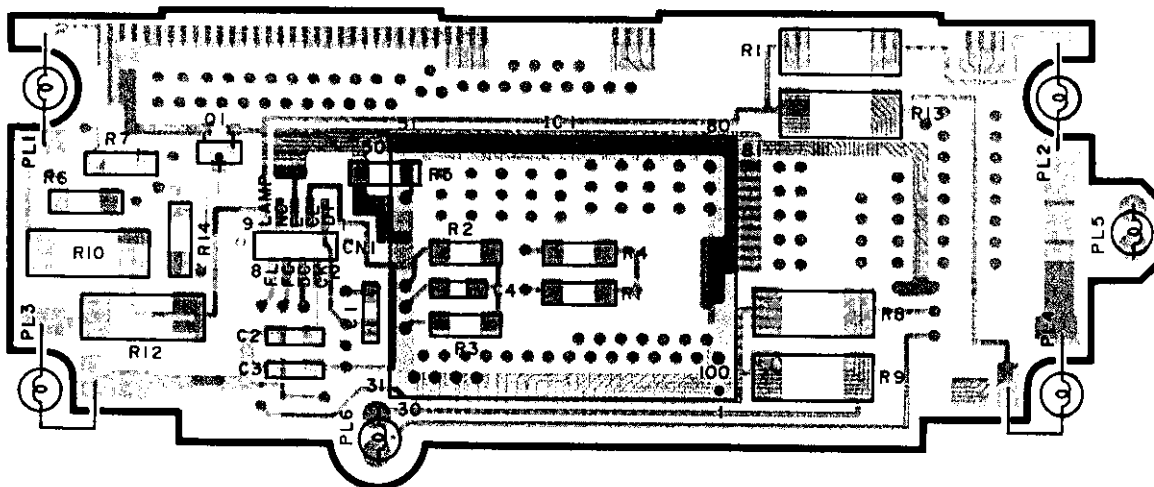
- TX-RX unit (X57-3680-XX)
- VR1 : Squelch
- VR2 : S-meter
- VR3 : DEV, VR4 : DEV
- VR5, 6, 401, 402 : Transmit output
- VR403, 404 : Protection
- L1~5 : GAIN (144MHz)
- L8, 9 : Helical (430MHz)
- L12 : GAIN (430MHz)
- L17 : GAIN (144MHz)
- TC1, 2 : Helical (430MHz)
- TC3 : Transmitt frequency

PC BOARD VIEW/CIRCUIT DIAGRAM

LCD ASS'Y (B38-0348-05)



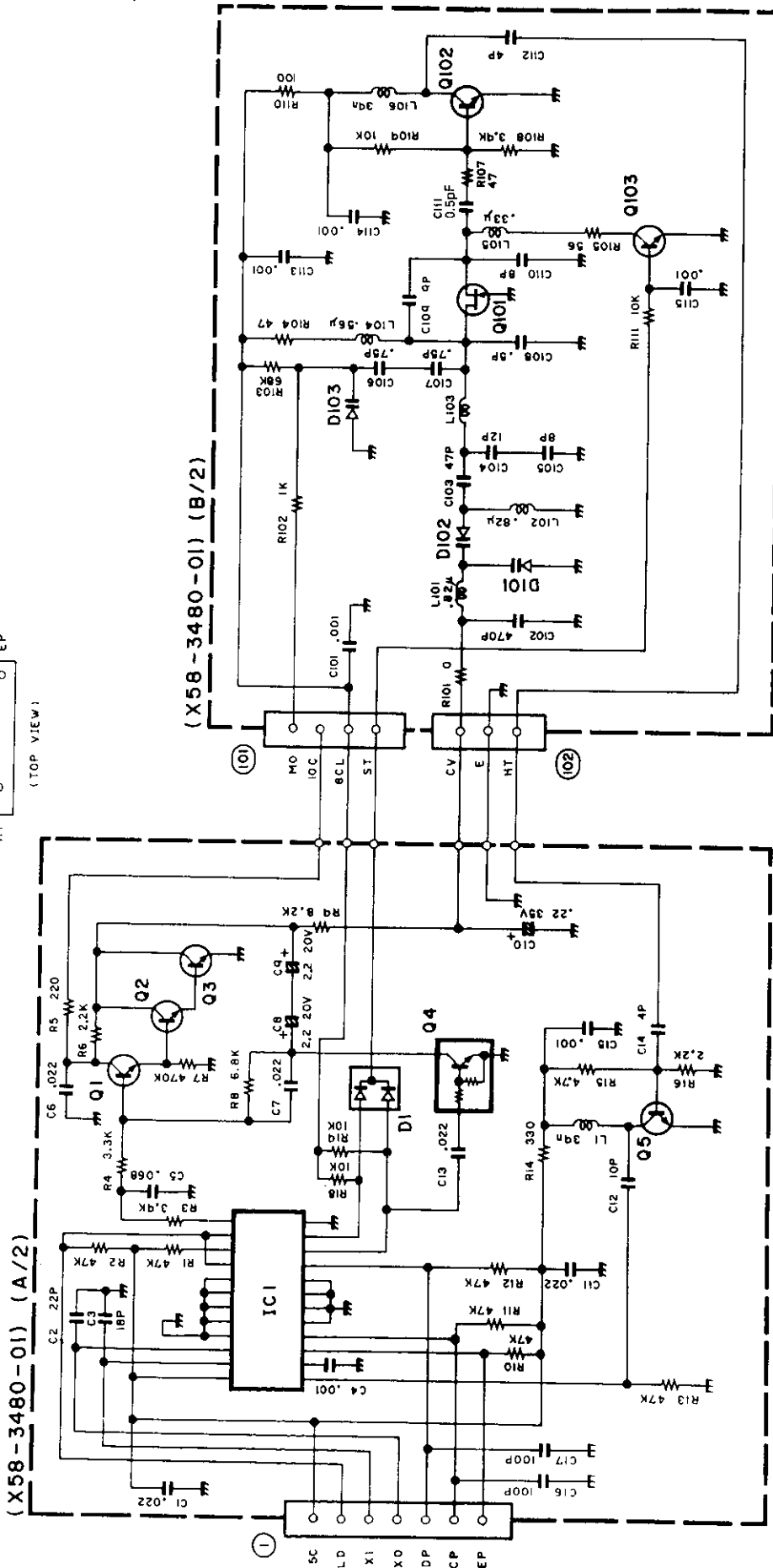
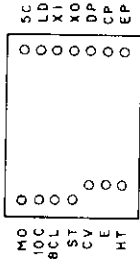
LCD ASS'Y (B38-0348-05) Component side view



TM-702A/E

CIRCUIT DIAGRAM

430PLL (X58-3480-01)



- (X58-3480-01) (A/2)
- IC1 : M54959FP
 Q1~3 : 2SC3324(B)
 Q4 : DTC144EK
 Q5 : 2SC2714(Y)
 D1 : 1SS184
- Unused numbers
 C18-100
 R17,20-100,106
- (X58-3480-01) (B/2)
- Q101 : 2SK582
 Q102 : 2SC3120
 Q103 : 2SC3324(G)
 D101, 102 : 1T33C
 D103 : 15V164

PC BOARD VIEW

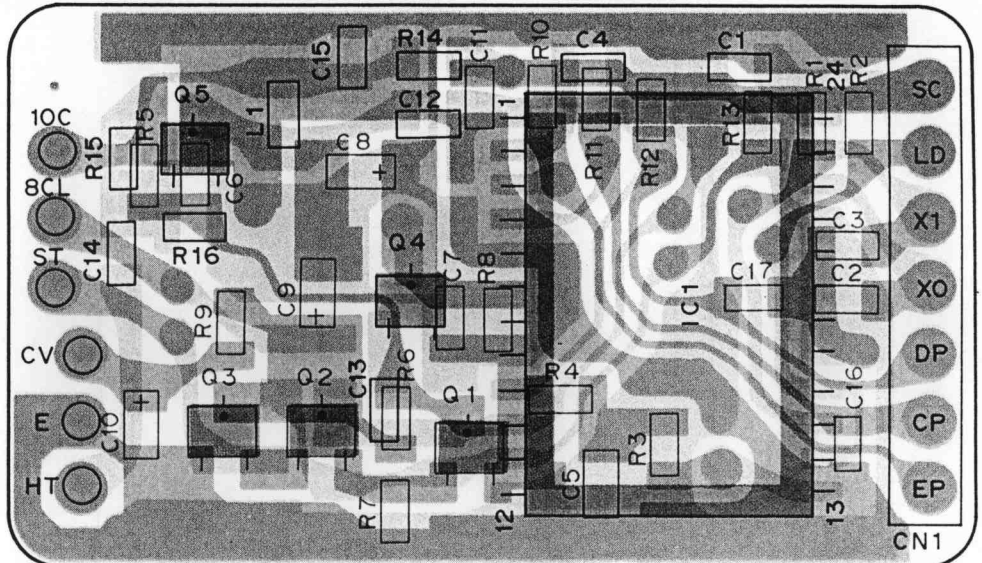
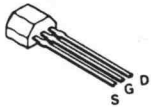
TM-702A/E

430PLL (X58-3480-01) (A/2) Component side view

DTC144EK
2SC2714(Y)
2SC3120
2SC3324(B,G)



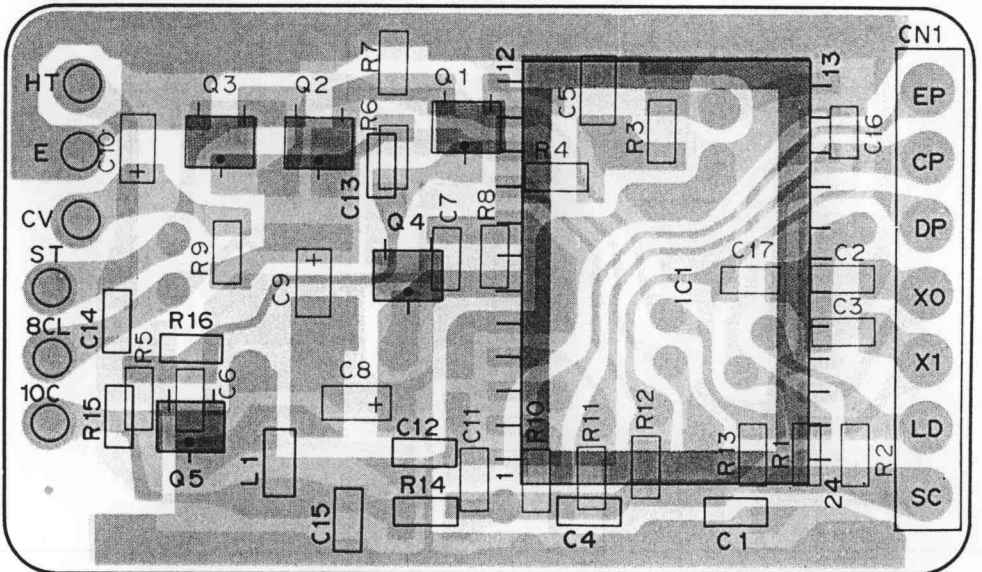
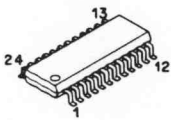
2SK582



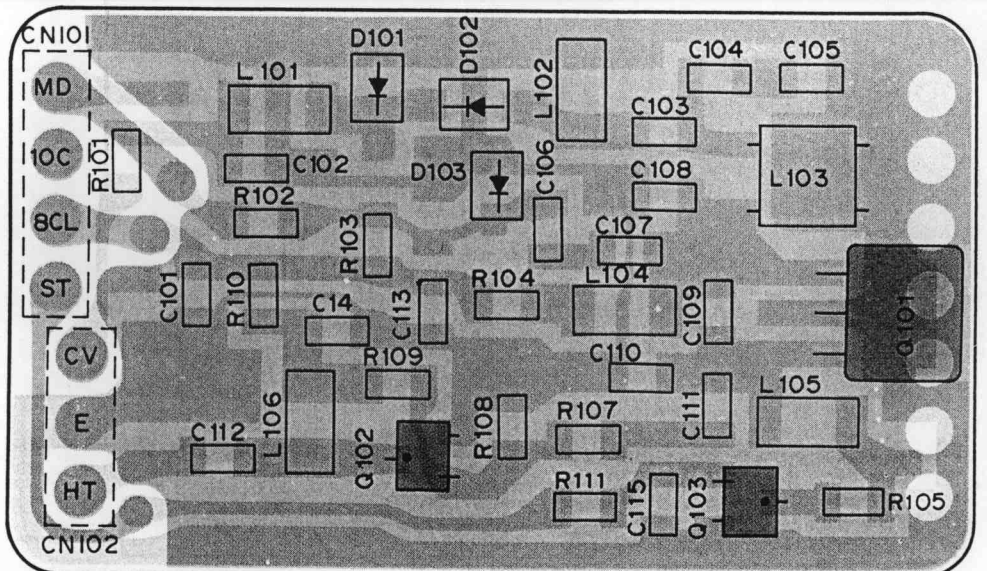
IC1 : M54959FP Q1~3 : 2SC3324 (B) Q4 : DTC144EK Q5 : 2SC2714 (Y) D1 : 1SS184

430PLL (X58-3480-01) (A/2) Foil side view

M54959FP



430PLL (X58-3480-01) (B/2) Component side view

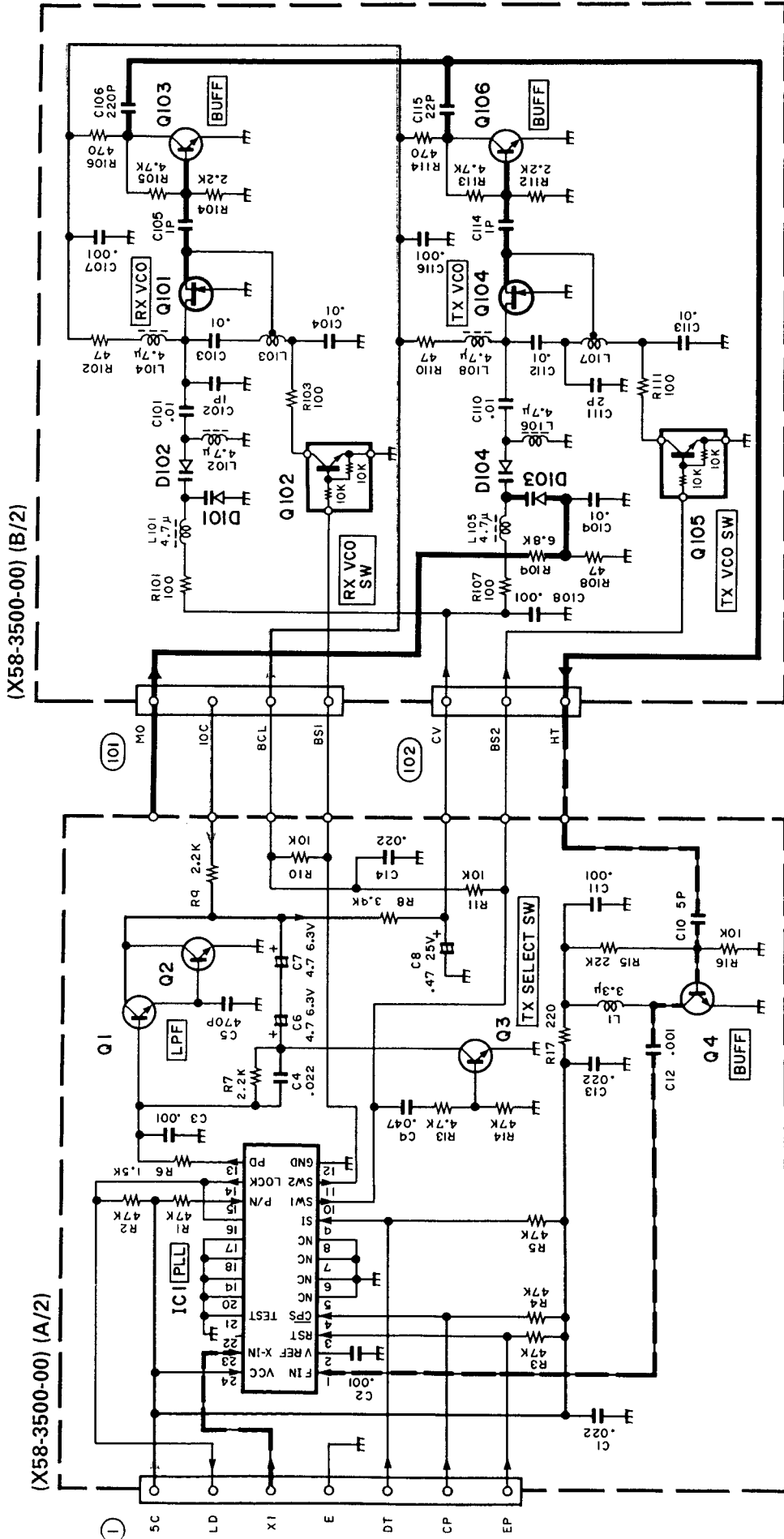


Q101 : 2SK582 Q102 : 2SC3120 Q103 : 2SC3324 (G) D101,102 : 1T33C D103 : 1SC164

TM-702A/E

CIRCUIT DIAGRAM

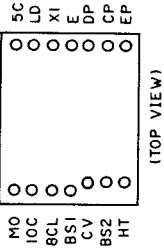
144PLL (X58-3500-00) 0~21 : M, 0~22 : M2, 2~71 : E, 2~72 : E2



(X58-3500-00)(B/2)
 Q101,104 : 2SK508MV(K52)
 Q102,105 : DTC114EK
 Q103,106 : 2SC3120
 D101 ~ 104 : ISV166

Unused numbers
 C15-100
 R12,18-100

(X58-3500-00)(A/2)
 IC1 : M54959FP
 Q1,2 : 2SC3324(B)
 Q3 : 2SC2712(Y)
 Q4 : 2SC2714(Y)



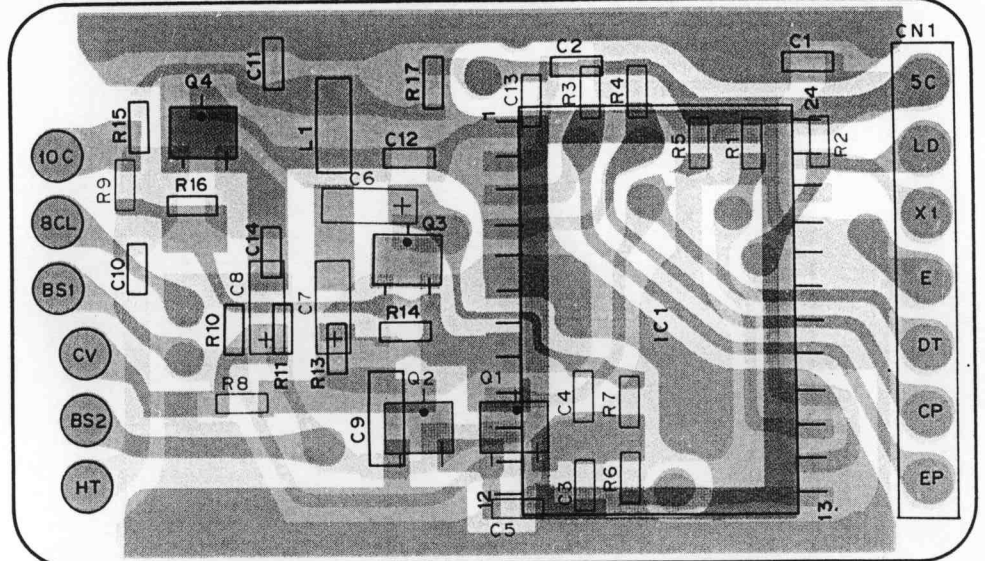
PC BOARD VIEWS / CIRCUIT DIAGRAMS TM-702A/E

144 PLL (X58-3500-00) (A/2) Component side view 0~21 : M, 0~22 : M2, 2~71 : E, 2~72 : E2

DTC114EK
2SC2712(Y)
2SC2714(Y)
2SC3120
2SC3324(B,G)



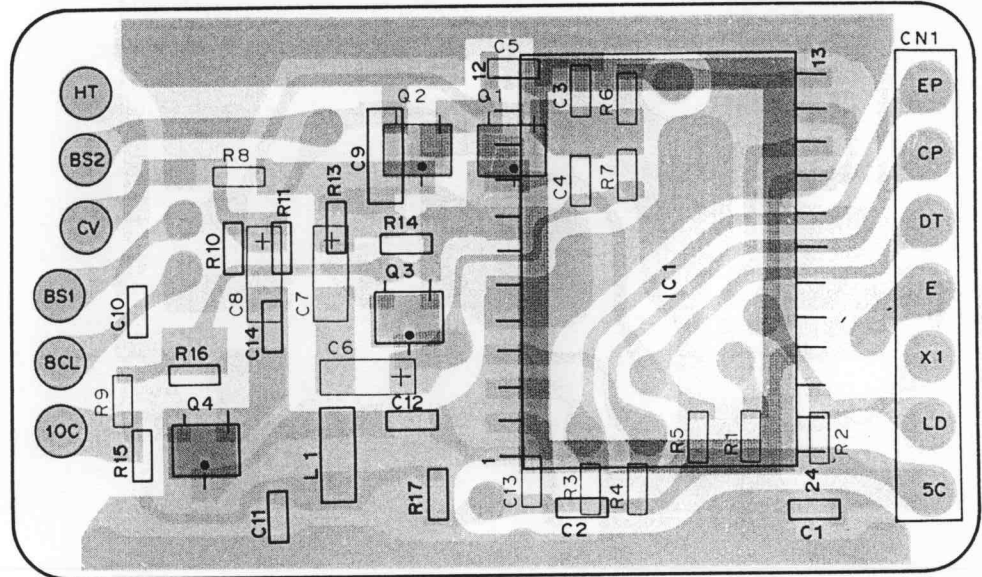
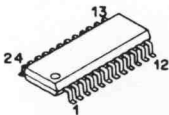
2SK508NV(K52)



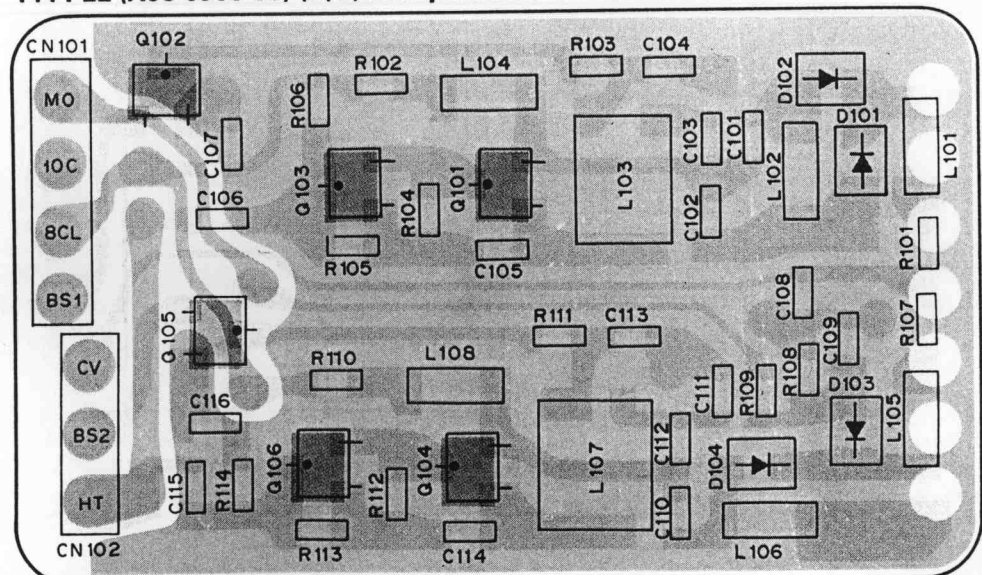
IC1 : M54959FP Q1,2 : 2SC3324 (B) Q3 : 2SC2712 (Y) Q4 : 2SC2714 (Y)

144 PLL (X58-3500-00) (A/2) Foil side view

M54959FP



144 PLL (X58-3500-00) (B/2) Component side view

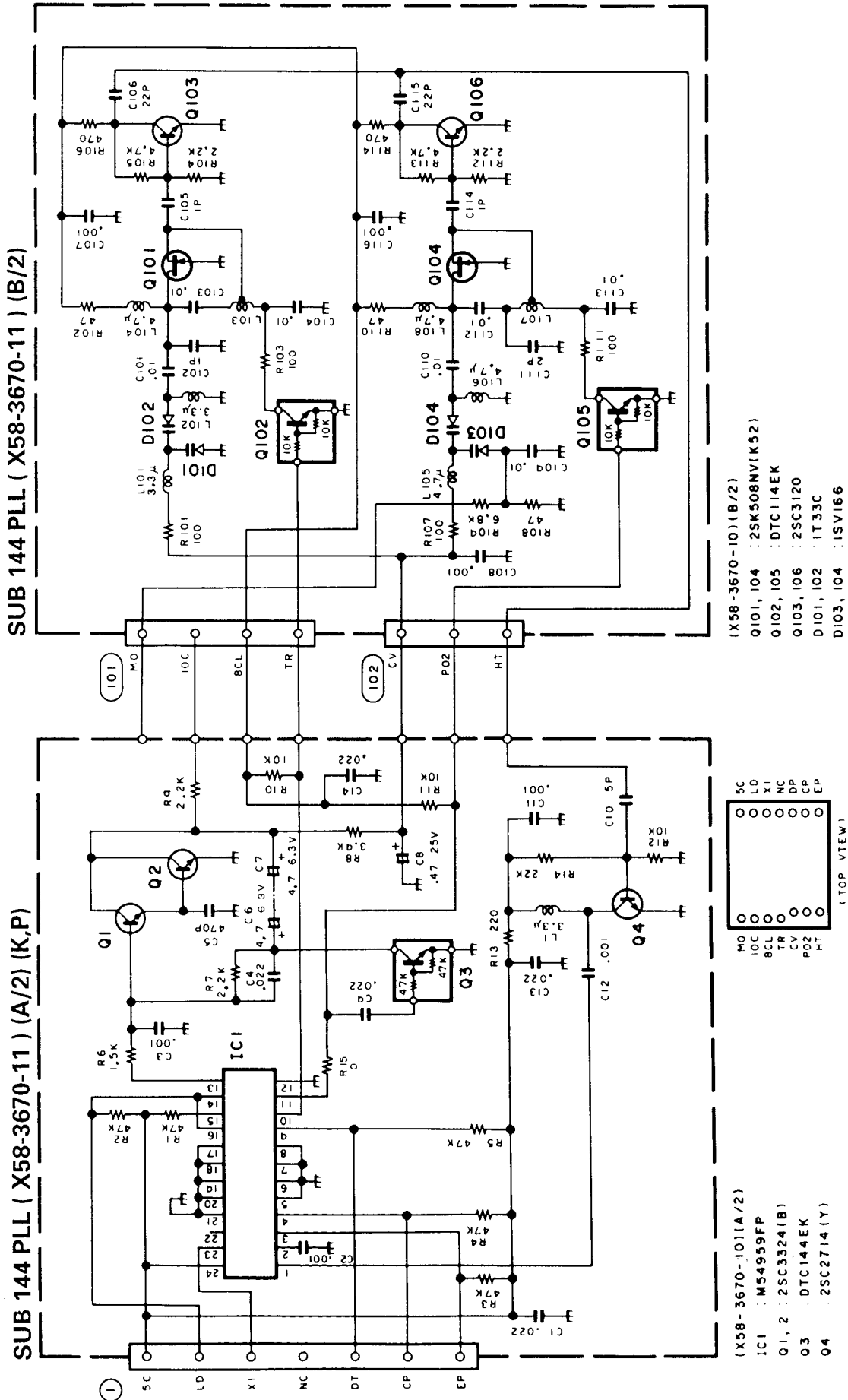


Q101,104 : 2SK508NV (K52) Q102, 105 : DTC114EK Q103,106 : 2SC3120 D101~104 : 1SV166

TM-702A/E

CIRCUIT DIAGRAMS

144PLL (X58-3670-11)-11 : K. P



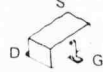
PC BOARD VIEWS / CIRCUIT DIAGRAMS TM-702A/E

144PLL (X58-3670-11) (A/2) Component side view-11 : K. P

2SC3324

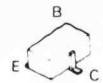


2SK508NV(K52)

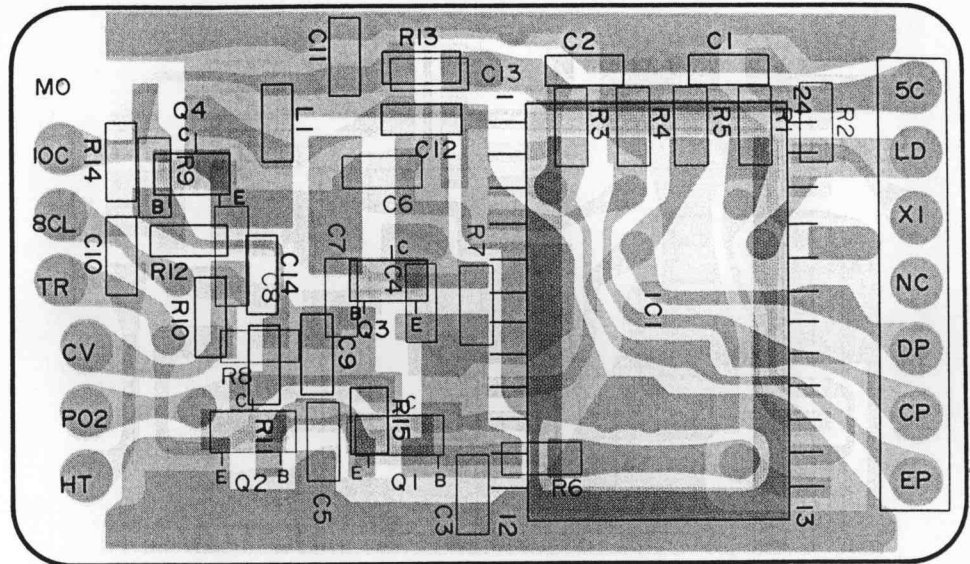
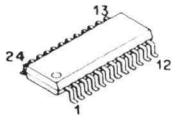


2SC2712

2SC3120

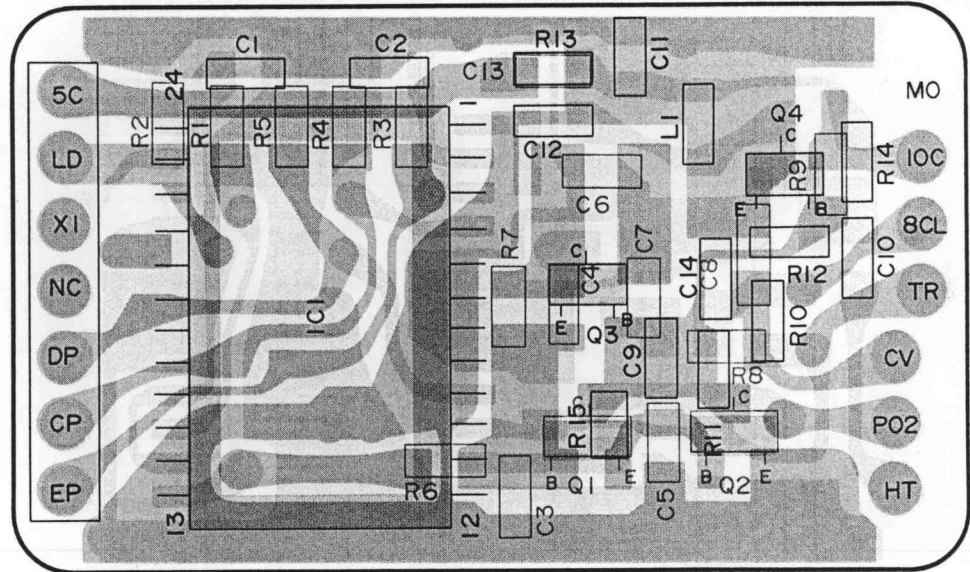


M54959FP

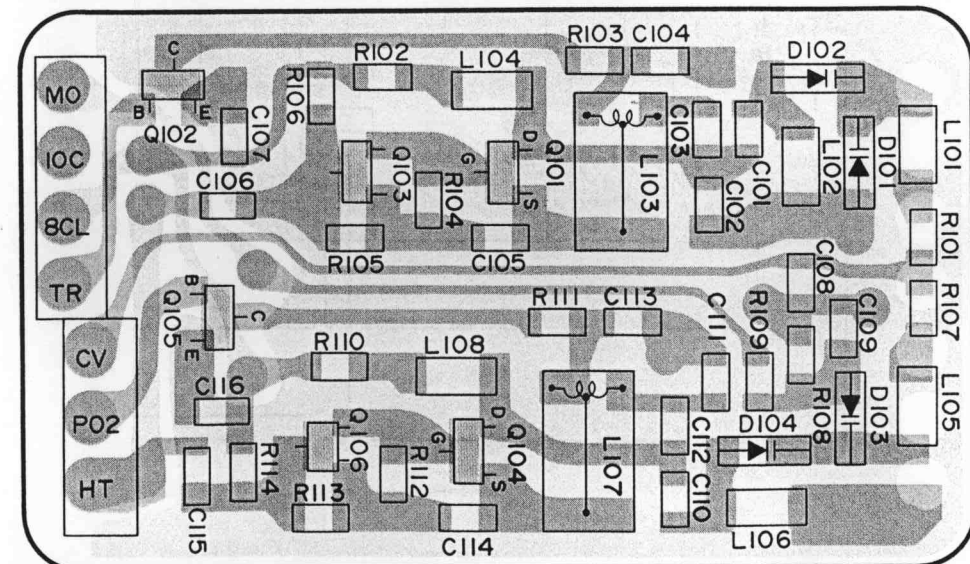


IC1: M54959 FP Q1,2:2SC3324(B) Q3:DTC144EK Q4:2SC2714(Y)

144PLL (X58-3670-11) (A/2) Foil side view



144PLL (X58-3670-11) (B/2) Component side view

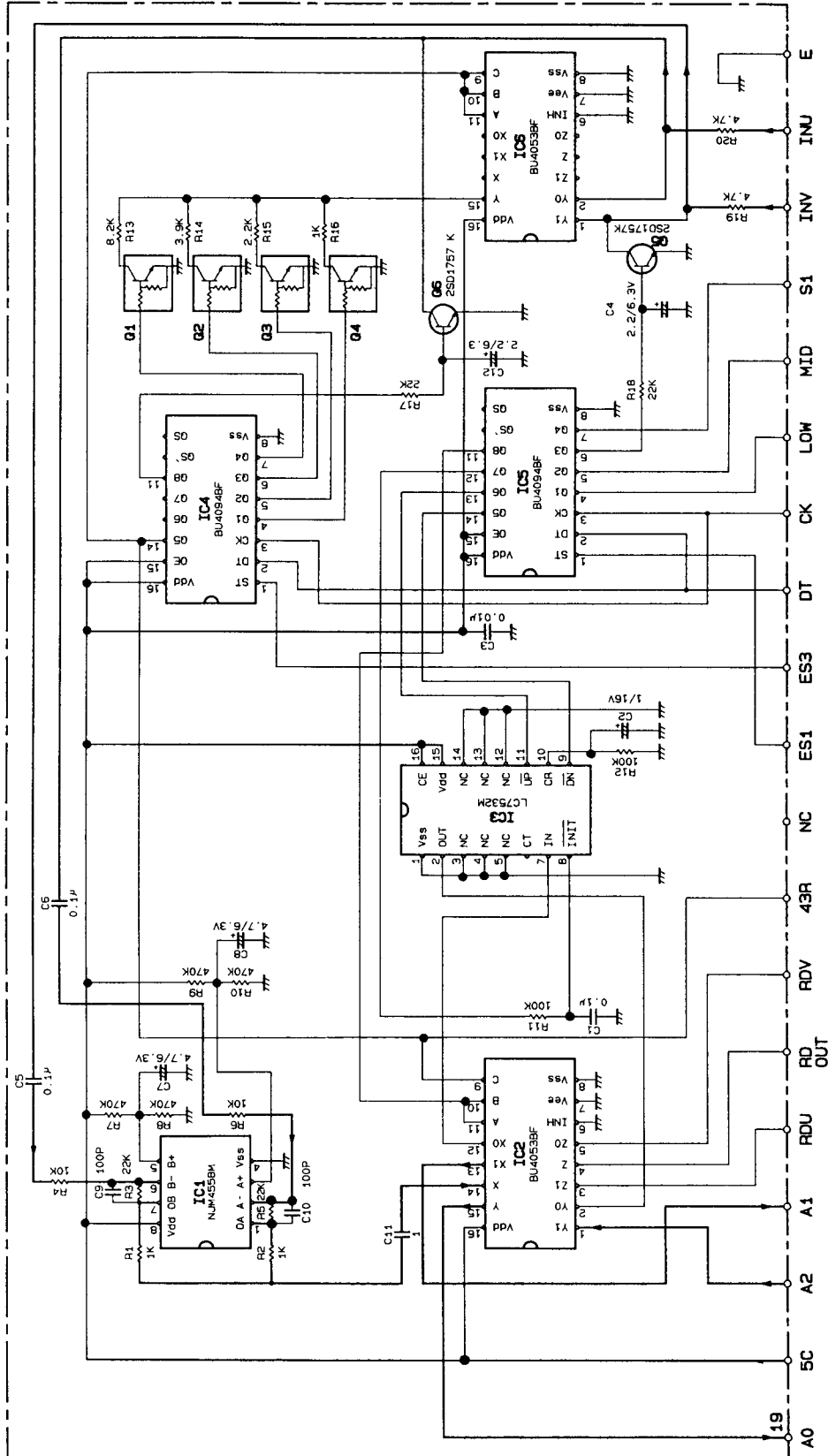


Q101,104: 2SK508NV(52) Q103,106:2SC3120 D101,102:1T33C D103,104:1SV166

TM-702A/E

CIRCUIT DIADRAM

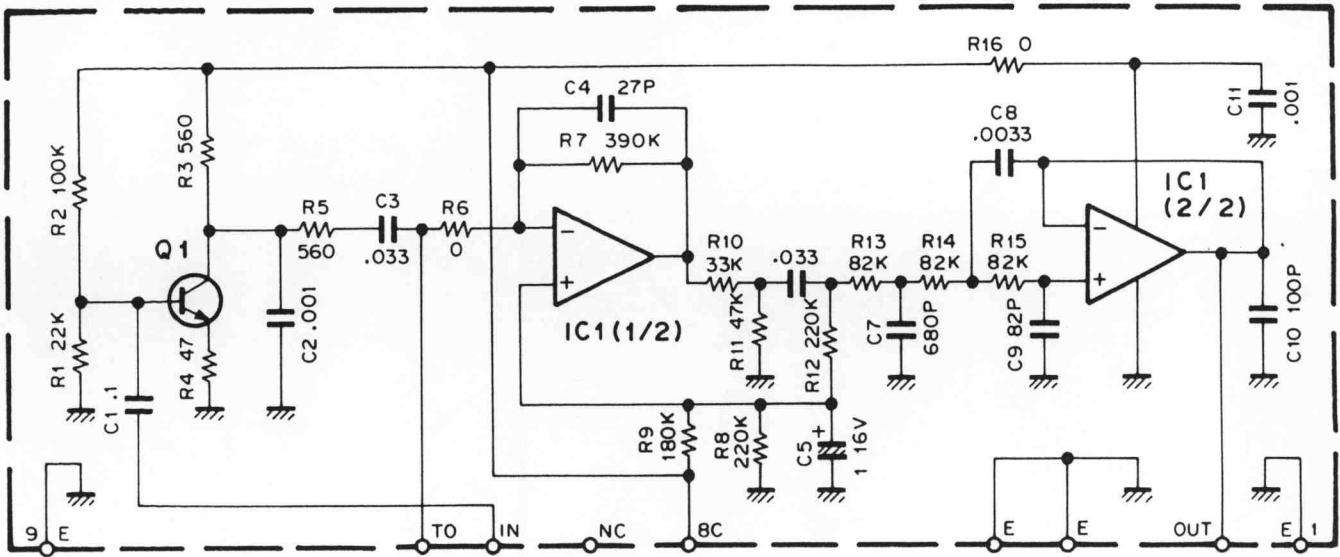
ELE VOL (X59-3800-00)



- IC1 : NUM4558M Q1~4 : DTC143EK
- IC2.6 : BU4053BF G5.6 : 2SD1757K
- IC3 : LC7532M
- IC4.5 : BU4094BF

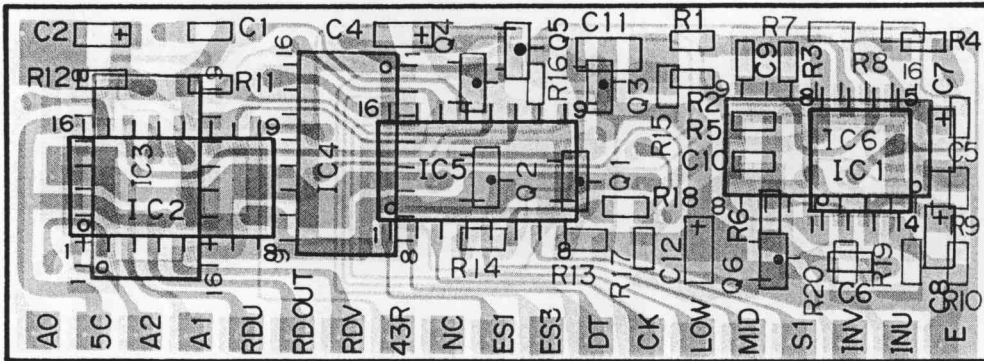
CIRCUIT DIAGRAM/PC BOARD VIEWS TM-702A/E

MIC AMP (X59-3610-00)



Q1 : 2SC4116 (GR) IC1 : NJM4558M

ELE VOL (X59-3800-00) Component side view

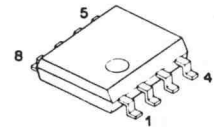


IC1 : NJM4558M IC2.6 : BU4053BF IC3 : LC7532M IC4.5 : BU4094BF Q1-4 : DTC143EK Q5.6 : 2SD1757K

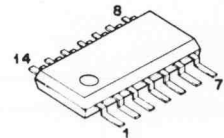
2SC4116(Y)
2SD1757(Y)



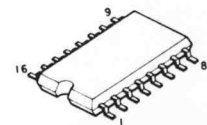
NJM4558M



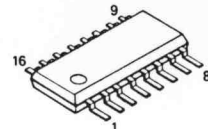
MN4066BS



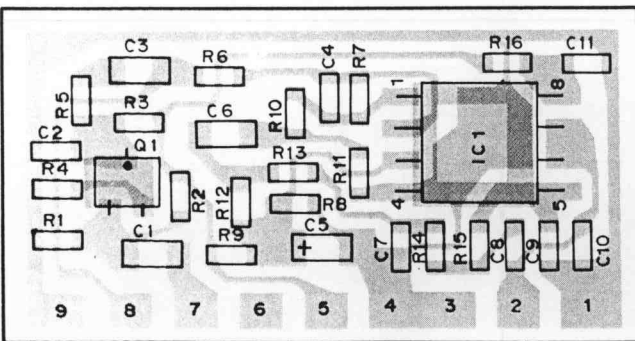
MC14094BF



LC7532M



MIC AMP (X59-3610-00) Foil side view



Q1 : 2SC4116(Y) IC1 : NJM4558M

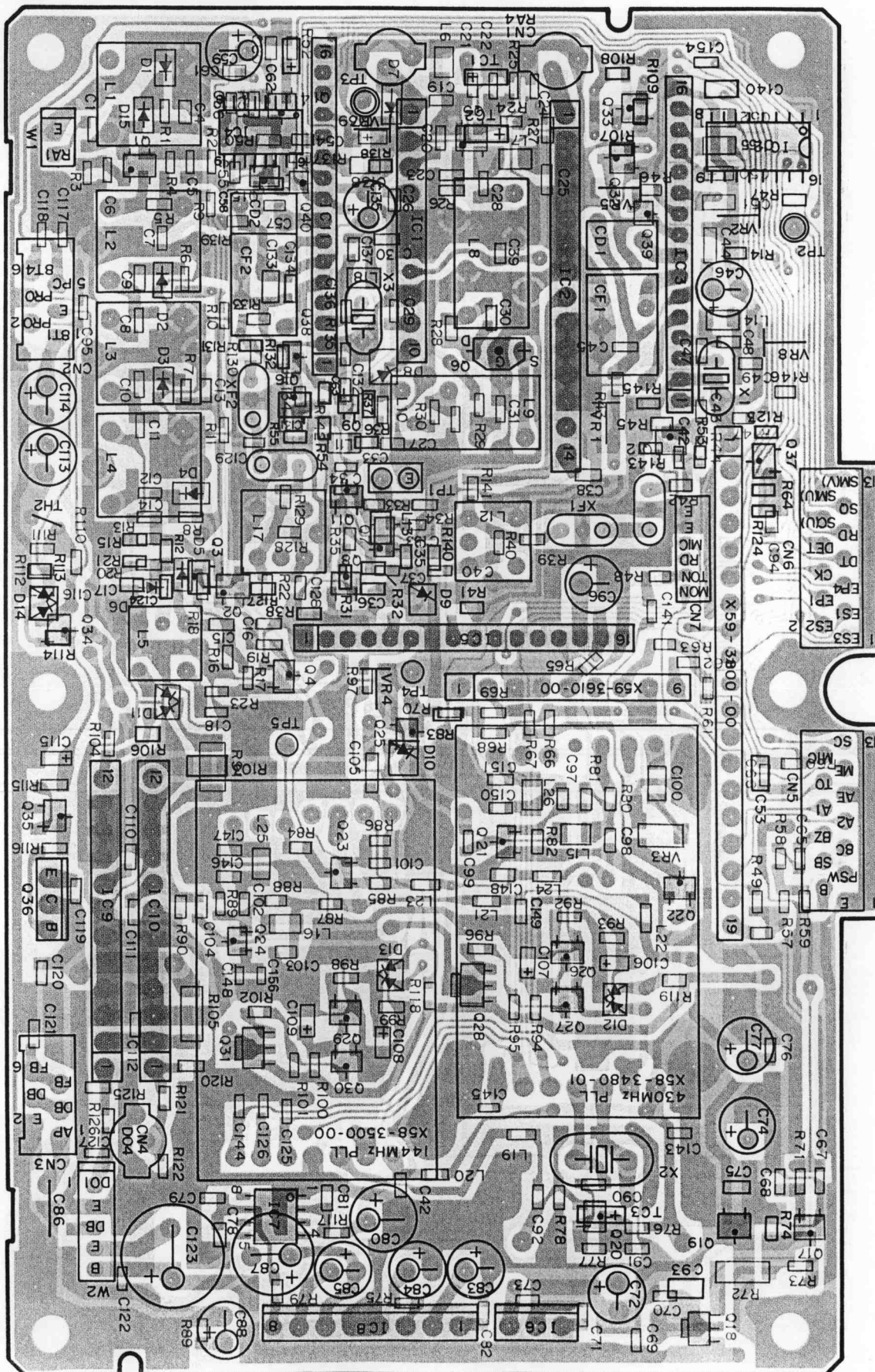
TM-702A/E

PC BOARD VIEWS

TX-RX UNIT (X57-368X-XX) (A/4)

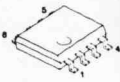
0-11: K. P, 0-21: M, 0-22: M2 (TM-702A), 2-71: E, 2-72: E2 (TM-702E)

Component side view



DTC114EK LA5010M

2SA1162 (Y)
2SC2712 (Y)
2SC2714 (Y)
2SD1757 (K)
B, E, C



2SK208 (O)

TA7787AF
BU4053BF



3SK131 (V12)
3SK184 (S)



2SK582



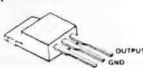
2SB1119S
2SB1302S



2SA1307



μPC78M08H



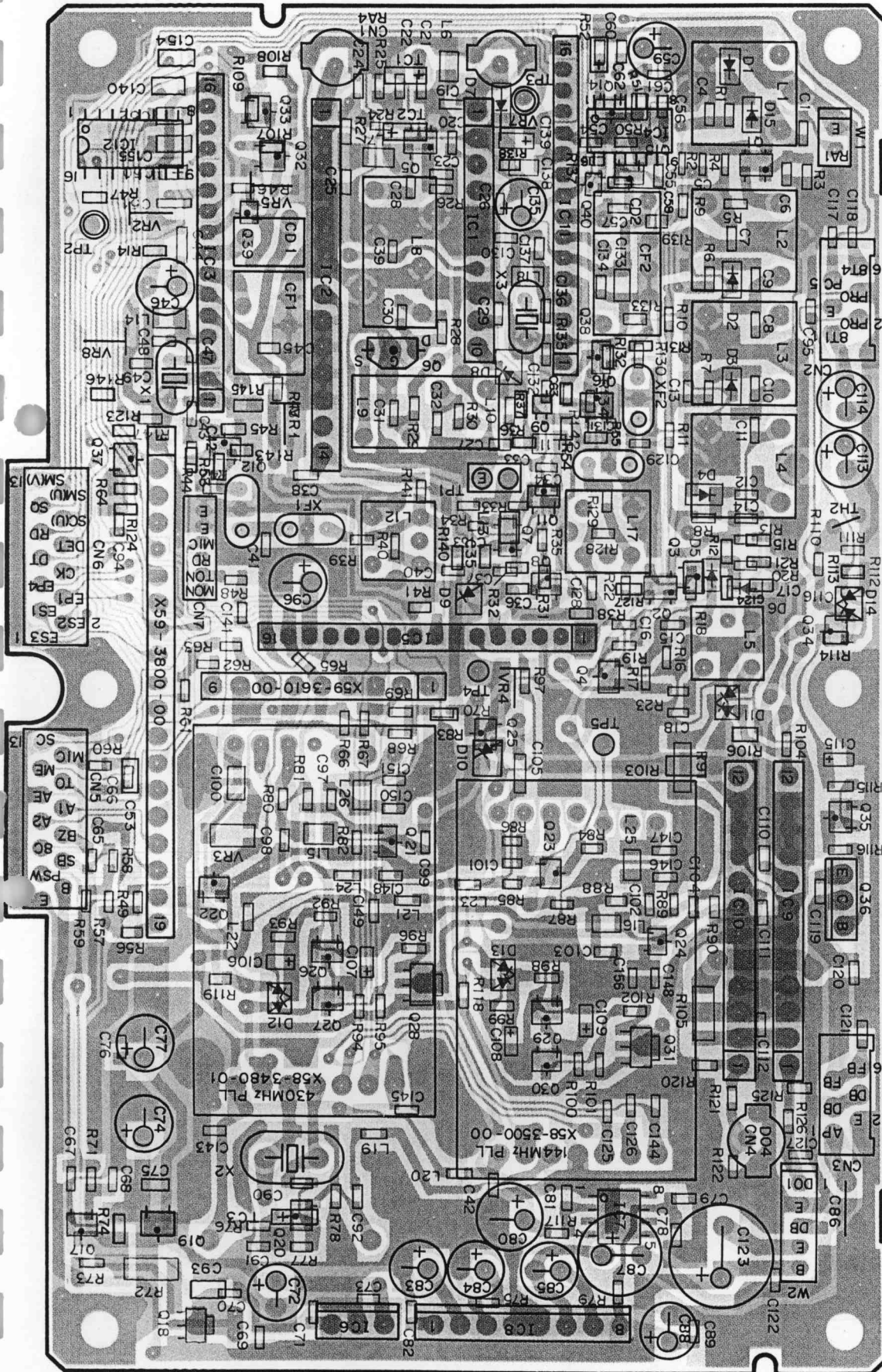
C1241H



TX-RX UNIT (X57-368X-XX) (A/4)

O-11: K. P, O-21: M, O-22: M2 (TM-702A), 2-71: E, 2-72: E2 (TM-702E)

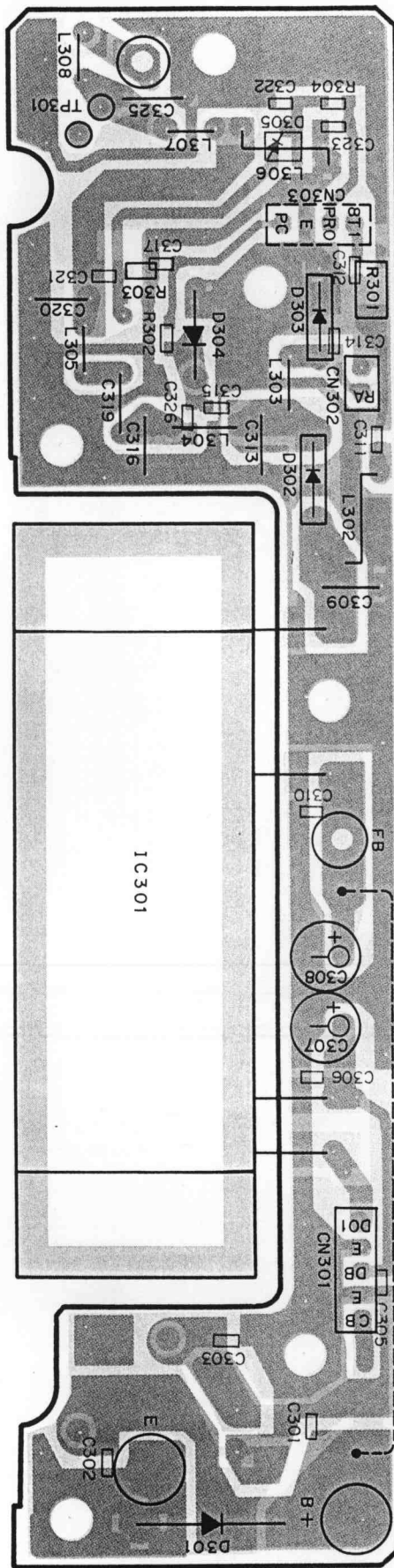
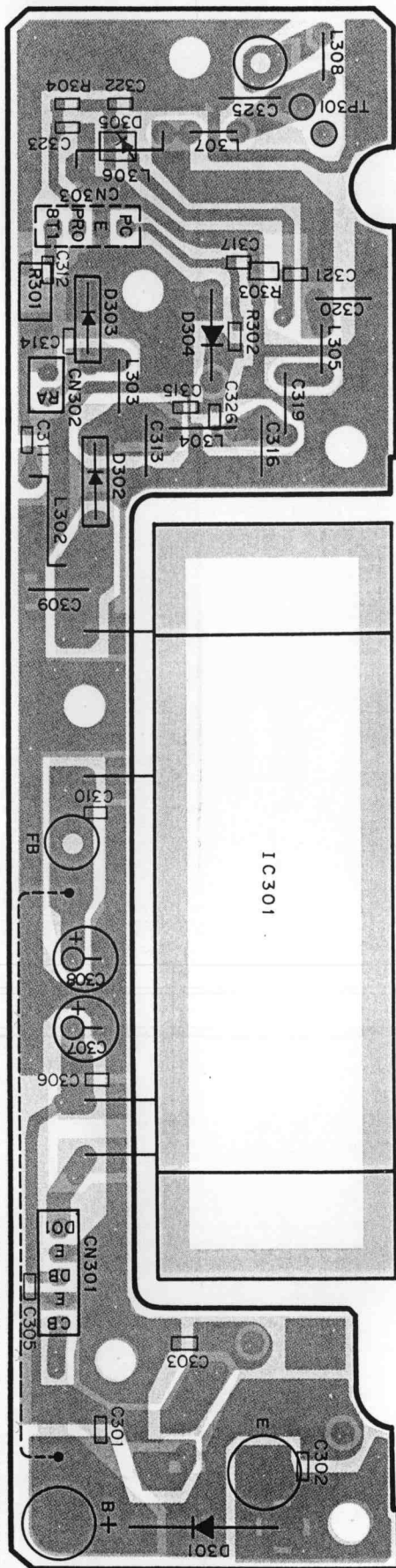
Foil side view



- IC3, 11: KCD04 IC4: TA7787AF IC5: KCC03 IC6: UPC78M08H IC7: LA5010M IC8: UPC1241H IC9: KCB05 IC10: KCB06 IC12: BU4053BF
- Q1, 5, 7: 3SK184 (S) Q2: 3SK131 (V12) Q3, 4, 8, 15, 22, 25, 27, 30, 32, 33: DTC114EK Q6: 2SK582 Q9: FMC3 Q12, 20, 21, 24, 38: 2SC2714 (Y)
- Q14, 17, 19, 26, 29, 35: 2SC2712 (Y) Q16, 23: 2SK208 (Y) Q18: 2SB1302S Q28, 31: 2SB119S Q34: 2SA1162 (Y) Q36: 2SA1307 (Y)
- Q37: 2SD1757K Q39, 40: 2SJ14 4 (GR) D1 ~ 4, 15: ISV164 D5: ISV166 (K. P), ISV164 (M. Mz. E. E2) D6: ISV166 D7: HSK277 D9, 10: ISV128
- D11: ISS268 D12 ~ 14: ISS184

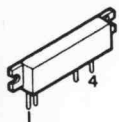
TX-RX UNIT (X57-368X-XX) (C/4) Component side view

Foil side view



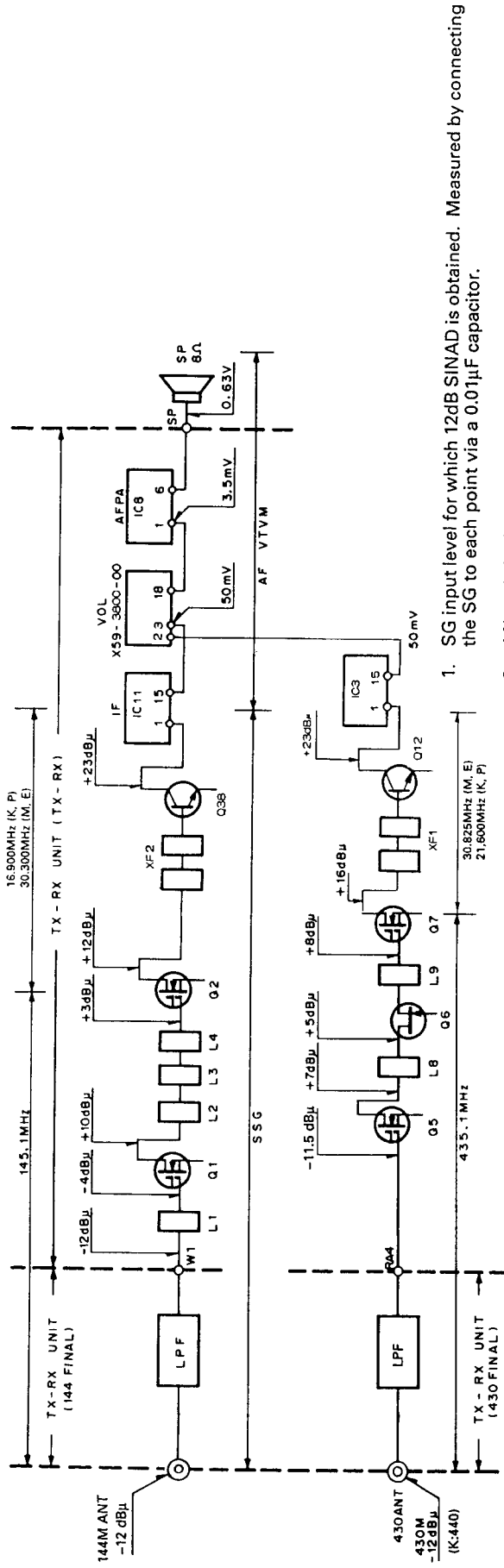
IC301 : M57737R D301 : DSA3A1 D302 : M1407 D303 : M1308 D304 : ISS101 D305 : ISS184

M57737R



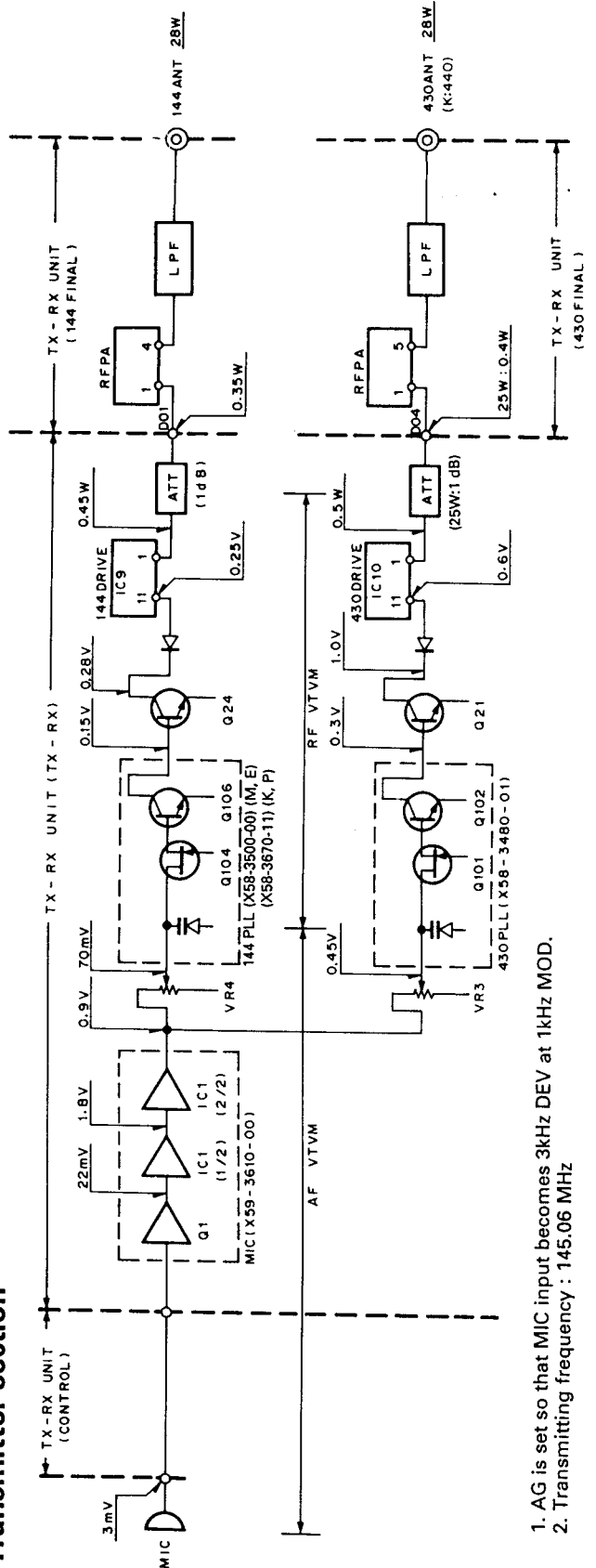
LEVEL DIAGRAM

Receiver section



1. SG input level for which 12dB SINAD is obtained. Measured by connecting the SG to each point via a 0.01μF capacitor.
2. Af level obtained when the AF output level is adjusted for 0.63V/8W with the front panel AF VOL control. Measured with AF voltmeter connected to the external speaker jack, receiving a 40dB EMF SSG signal modulated at 1kHz, DEV 3kHz.

Transmitter section

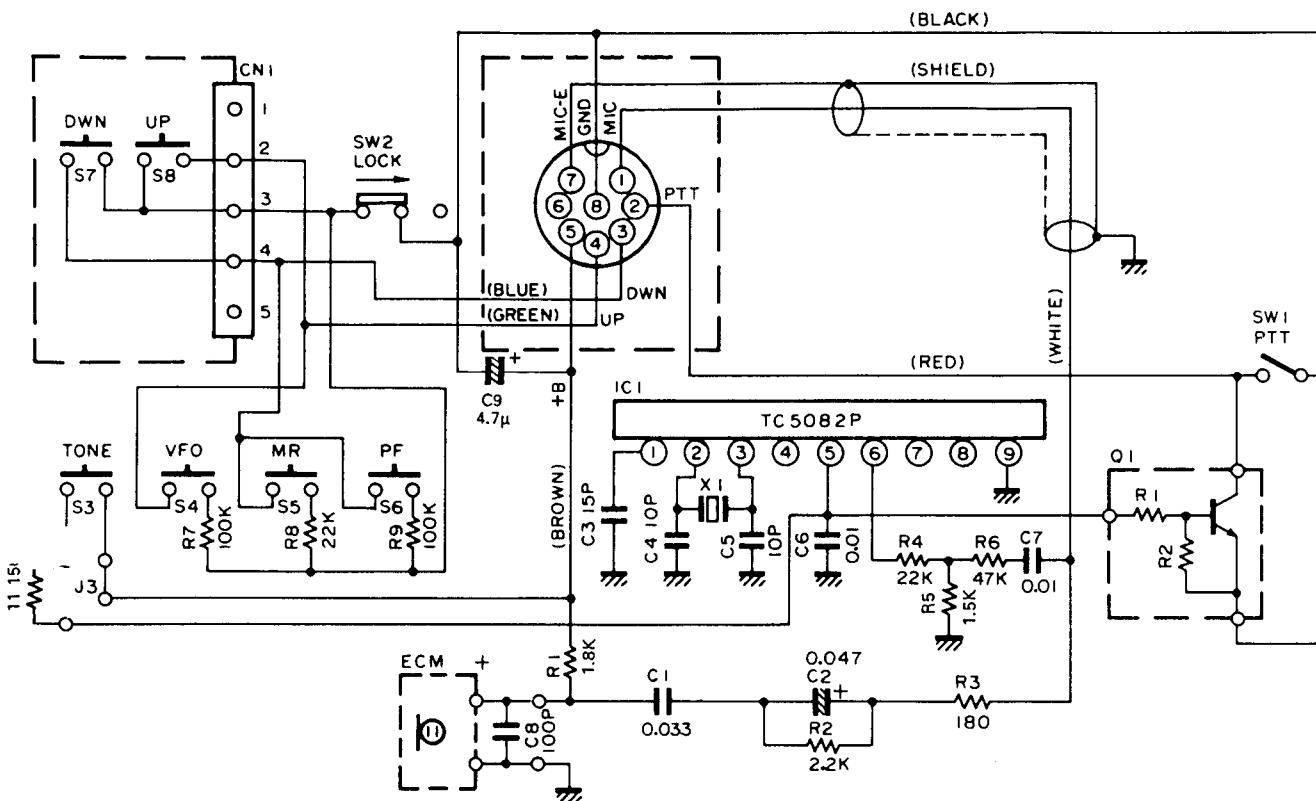


1. AG is set so that MIC input becomes 3kHz DEV at 1kHz MOD.
2. Transmitting frequency : 145.06 MHz

VI-702A/E

MC-44E (MULTI FUNCTION MICROPHONE)

MC-44E SCHEMATIC DIAGRAM



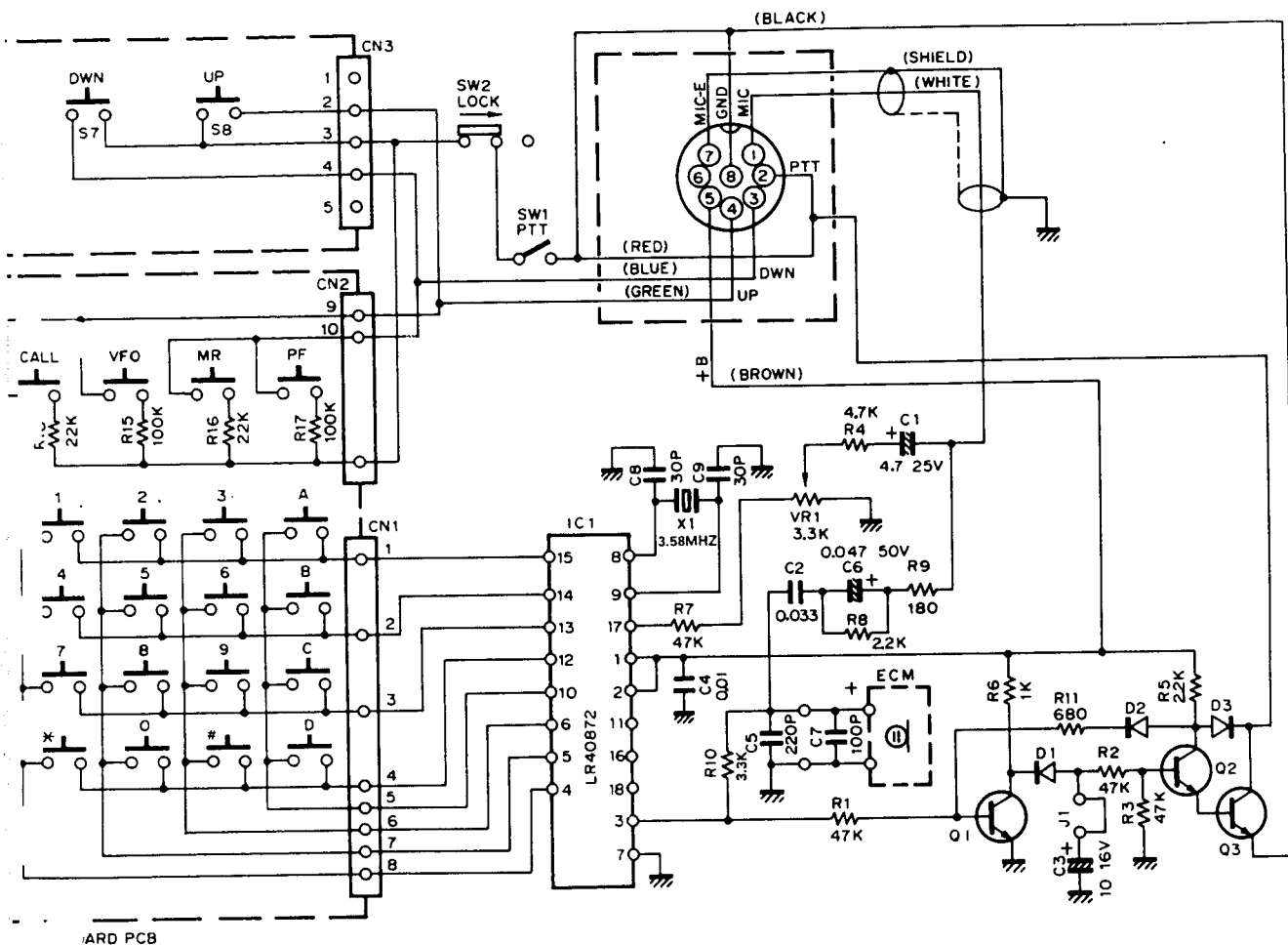
MC-44E PARTS LIST

Ref. No.	New parts	Parts No.	Description
	*	A02-0897-18	Case (Front) With TONE
		A02-0900-08	Case (Rear)
	*	B50-8293-18	Instruction manual
		E30-2149-08	Curt cord
	*	G13-0933-08	Cushion
	*	K29-3165-08	Knob PTT
	*	K29-3168-18	Knob UP
	*	K29-3169-18	Knob DOWN
	*	K29-3170-08	Knob 1750, VFO, MR, PF
SW2		S31-1422-08	Slide switch LOCK
SW1		S50-1431-08	Micro switch PTT
S7, 8	*	S59-1409-28	Switch Ass'y UP, DOWN
	*	T91-0383-08	Microphone element (Condenser microphone)

MC-44DM/44DEM (MULTI FUNCTION MICROPHONE WITH AUTOPATCH)

MC-44DM/MC-44DME SCHEMATIC DIAGRAM

APAN



MC-44DM/MC-44DME PARTS LIST

Ref. No.	New parts	Parts No.	Description
	*	A02-0898-18	Case (Front) DTMF M
	*	A20-0899-18	Case (Front) DTMF (With TONE) E
	*	A02-0901-08	Case (Rear) DTMF
	*	B50-8293-18	Instruction manual
	*	E30-2149-08	Curt cord
	*	E13-0933-08	Cushion
	*	K29-3165-08	Knob PTT
	*	K29-3167-08	Key top DTMF
	*	K29-3168-18	Knob UP
	*	K29-3169-18	Knob DOWN
SW2		S31-1422-08	Slide switch LOCK
SW1		S50-1431-08	Micro switch PTT
S7, 8	*	S59-1409-28	Switch Ass'y UP, DOWN
		T91-0383-08	Microphone element (Condenser microphone)

18.

...51

...52

...57

...60

...61

...63

...64

...66

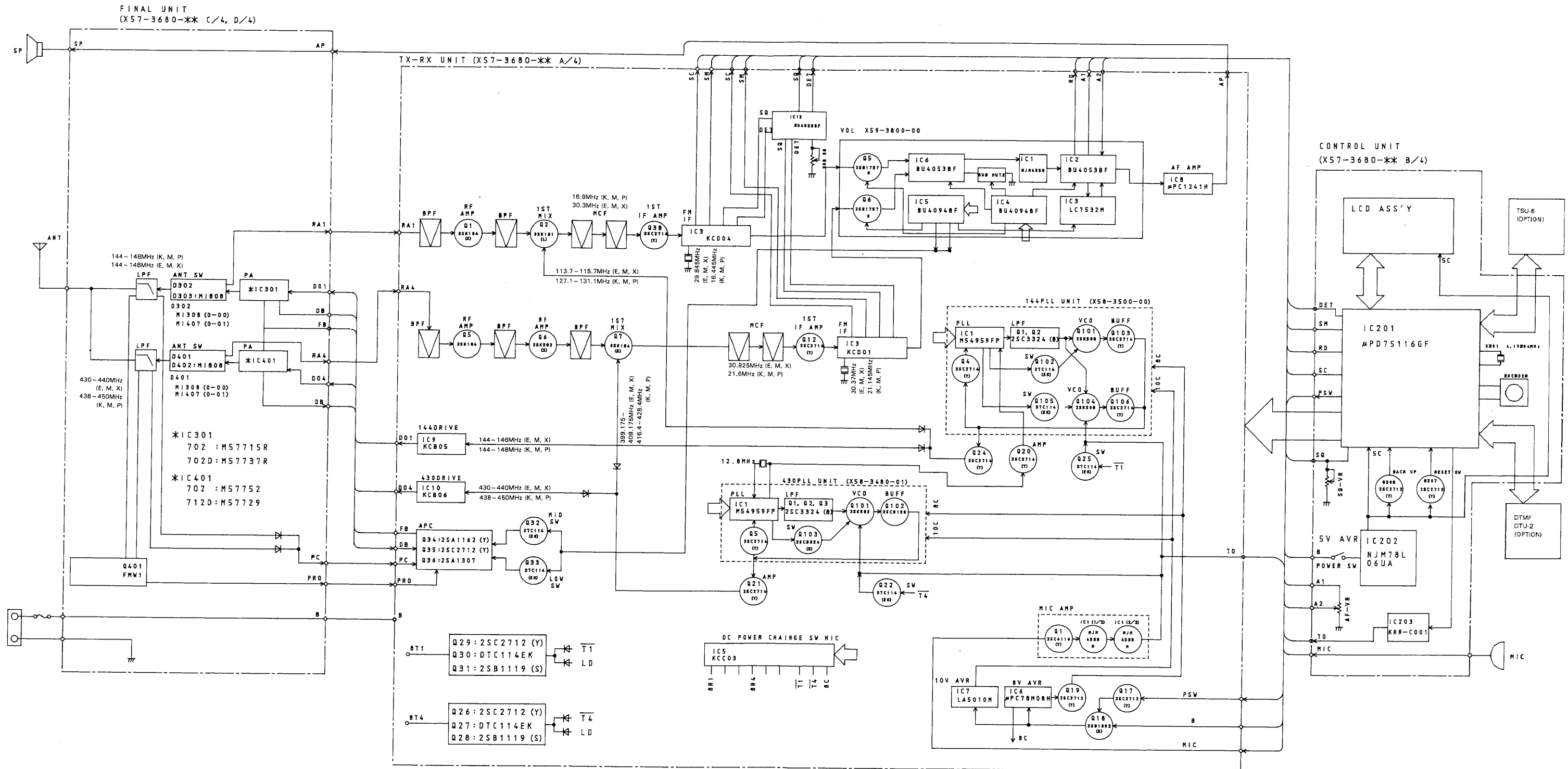
...68

...69

...70

VER

5. BLOCK DIAGRAM AND SCHEMATIC DIAGRAM



Note: Circuit is subject to change without notice due to advancements in technology.