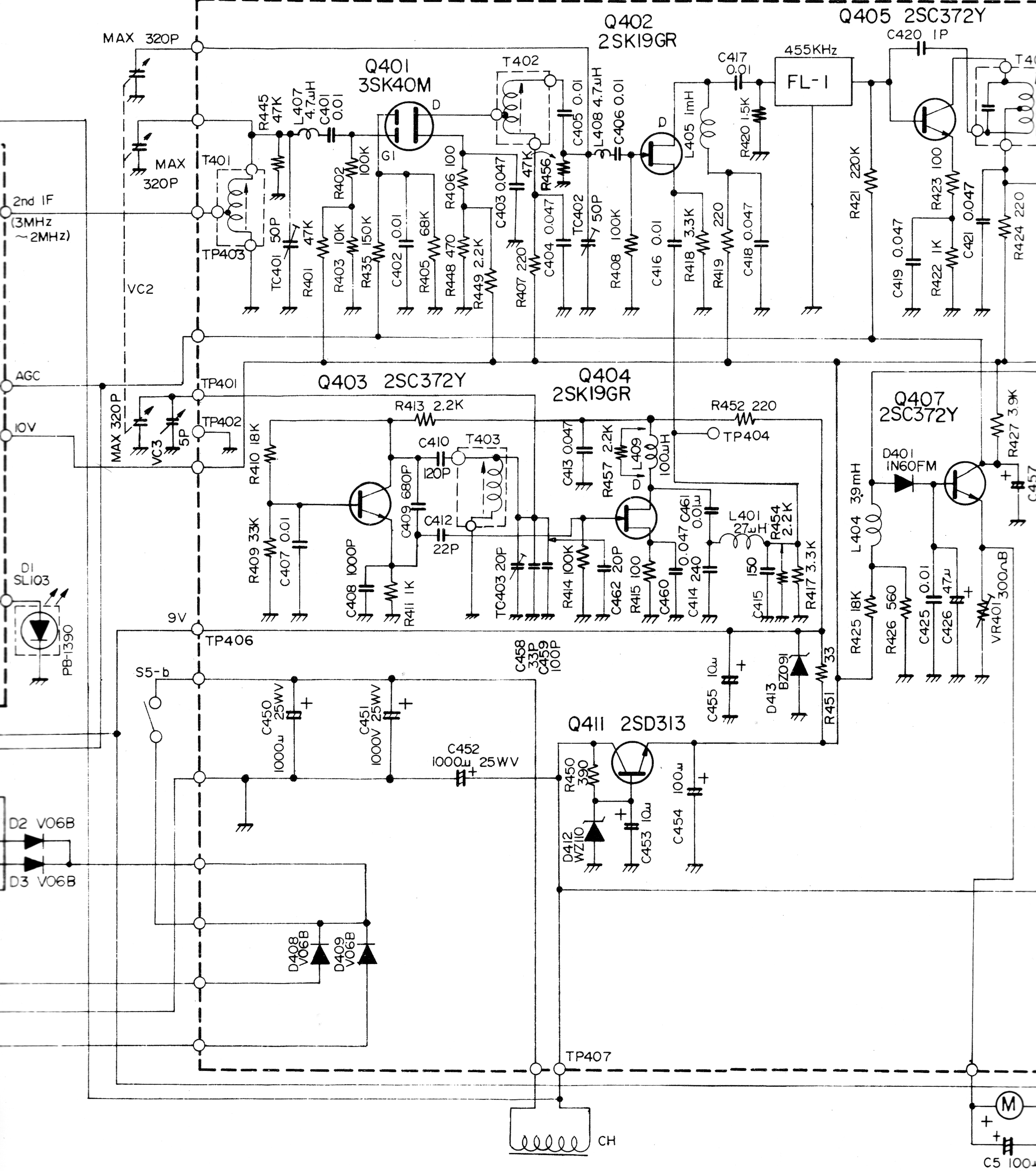




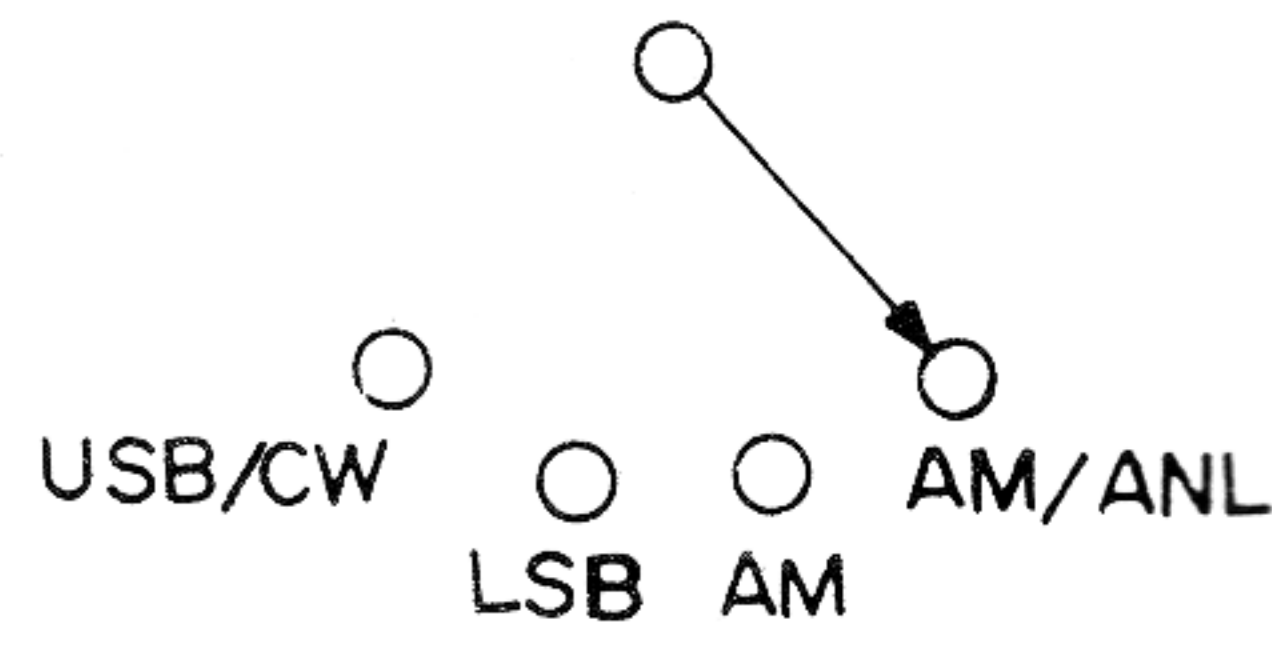
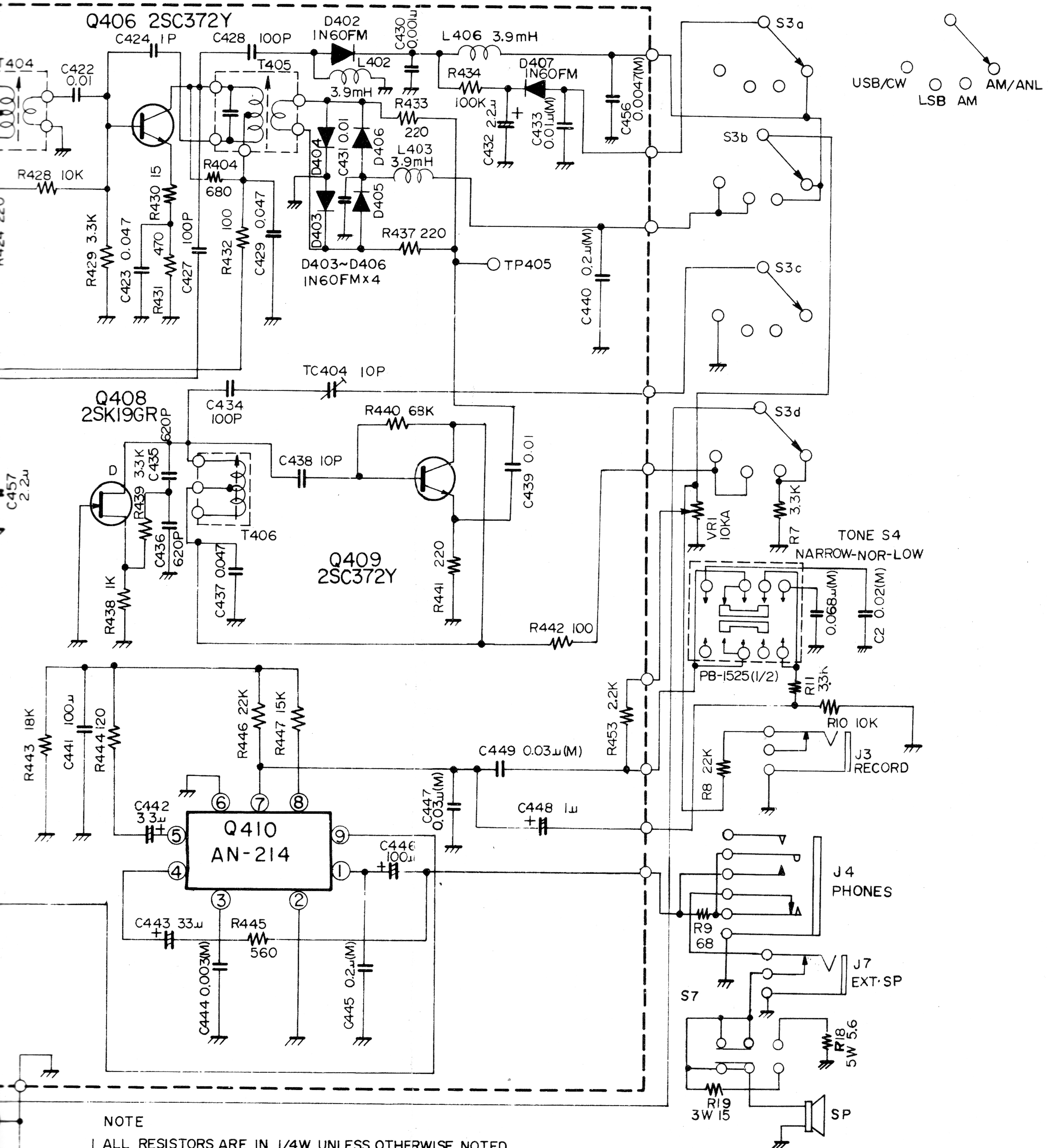




(IF-AF UNIT PB-1528)







Q406 2SC372Y

Q408 2SK19GR

Q409 2SC372Y

Q410 AN-214

NOTE  
 1 ALL RESISTORS ARE IN 1/4W UNLESS OTHERWISE NOTED.  
 2 ALL CAPACITORS ARE IN  $\mu$ F UNLESS OTHERWISE NOTED.  
 3 ALL ELECTROLYTIC CAPACITORS ARE 16V UNLESS OTHERWISE NOTED.

**FRG-7**  
**CIRCUIT DIAGRAM**